

Commander C200/C300

Step By Step Guide Guide pas à pas Schritt-für-Schritt-Anleitung Guida dettagliata Guía detallada

Frame sizes 1 to 4
Tailles 1 à 4
Baugrößen 1 bis 4
Taglie da 1 a 4
Tamaños 1 a 4

www.drive-setup.com



EN

This guide provides a fast and simple start-up procedure for a basic drive and motor installation.

For help with more advanced installations: Comprehensive user guides, online videos and help tools can be accessed using the web address or QR code above.



Please read the safety information booklet supplied with the drive before installation or set-up. For C300, it is essential to reading **Section 4.6** the Control User Guide using the web address or QR code above prior to using the SafeTorque Off function in safety systems.

Page 2

FR

Ce guide fournit des instructions de mise en service simples et rapides pour une installation variateur/moteur de base.

Pour des informations complémentaires sur des installations plus avancées, des guides de mise en service complets, des vidéos en ligne et des outils d'aide sont accessibles via l'adresse Web ou le code QR ci-dessus.



Veuillez lire attentivement le livret d'informations relatives à la sécurité fourni avec le variateur avant de procéder à l'installation ou à la configuration. Pour le modèle C300, il est essentiel de consulter la **Section 4.6** du Guide de mise en service - Contrôle accessible via l'adresse Web ou le code QR ci-dessus avant d'utiliser la fonction Absence sûre du couple dans les systèmes de sécurité.

Page 14

DE

Diese Anleitung bietet Informationen für eine schnelle Inbetriebnahme eines einfachen Umrichter-Motor-Systems.

Bei aufwendigeren Systemen: Umfassende Betriebsanleitungen, Online-Videos und Hilfsmittel finden Sie unter unserer Webadresse oder über den vorstehenden QR-Code.



Bitte lesen Sie die dem Umrichter beiliegende Sicherheitsdokumentation, bevor Sie den Umrichter montieren oder in Betrieb nehmen. Beim C300 lesen Sie unbedingt **Abschnitt 4.6** in der Betriebsanleitung: Steuereinheit (über die Webadresse bzw. den vorstehenden QR-Code), um die Safe Torque Off-Funktion in Sicherheitssystemen zu verwenden.

Seite 26

IT

Questa guida fornisce una procedura di avviamento semplice e veloce per l'installazione di un azionamento base e del motore.

Chi avesse bisogno di un supporto per l'installazione di soluzioni più avanzate può consultare le guide complete per l'utente, i video online e gli strumenti di supporto, a cui può accedere utilizzando l'indirizzo Internet o il codice QR qui sopra.



Prima di procedere all'installazione o alla configurazione, leggere il libretto con le informazioni per la sicurezza a corredo dell'azionamento. Per il C300, è essenziale leggere la **Sezione 4.6** nella Guida dell'utente al controllo, servendosi dell'indirizzo Internet o del codice QR qui sopra, prima di impiegare la funzione Safe Torque Off in sistemi di sicurezza.

pagina 38

ES

Esta guía contiene un procedimiento inicial rápido y sencillo de la instalación básica de accionamiento y motor.

Para obtener ayuda sobre instalaciones más avanzadas: Es posible acceder a guías de usuario, herramientas de ayuda y videos online exhaustivos a través de la dirección de Internet o el código QR anterior.



Lea el folleto de información de seguridad suministrado con el accionamiento antes de llevar a cabo la instalación o la configuración. Para el C300, es esencial leer la **Sección 4.6** de la Guía del usuario del control disponible a través de la dirección de Internet o el código QR anterior antes de utilizar la función Safe Torque Off en los sistemas de seguridad.

Página 50

English

Introduction

The Commander C200 and C300 is a simple and flexible range of drives from 0.25 kW to 132 kW in 9 frame sizes and three input voltage ranges (100 V, 200 V, and 400 V).

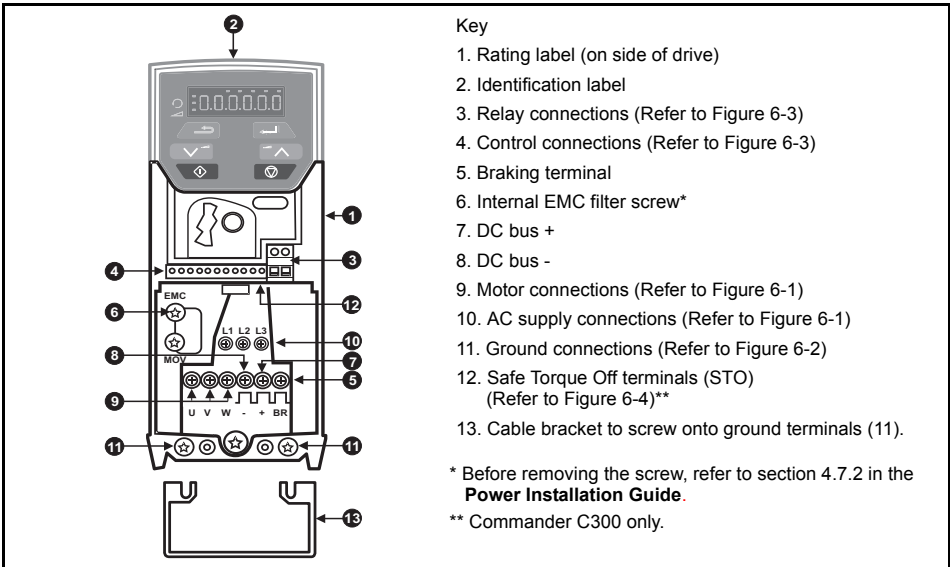
This Step-by Step guide provides simple step-by-step instructions on how to mount the drive, fuse and cable selection, wiring the drive-up, programming the drive and running the motor in analog input mode or keypad mode on frames 1 to 4.

The following information is available for download at 'www.drive-setup.com':

- Commander C200/C300 Quick Start Guide
- Commander C200/C300 Control User Guide
- Commander C200/C300 Power Installation Guides
- Commander C200/C300 Parameter Reference Guide
- Commander C200/C300 Set-up videos

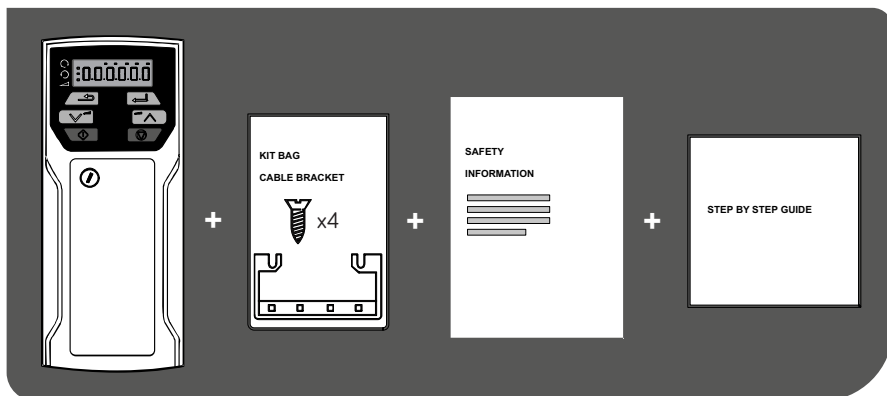
Features of the drive

Figure 1-1 Feature diagram (size 2 shown)



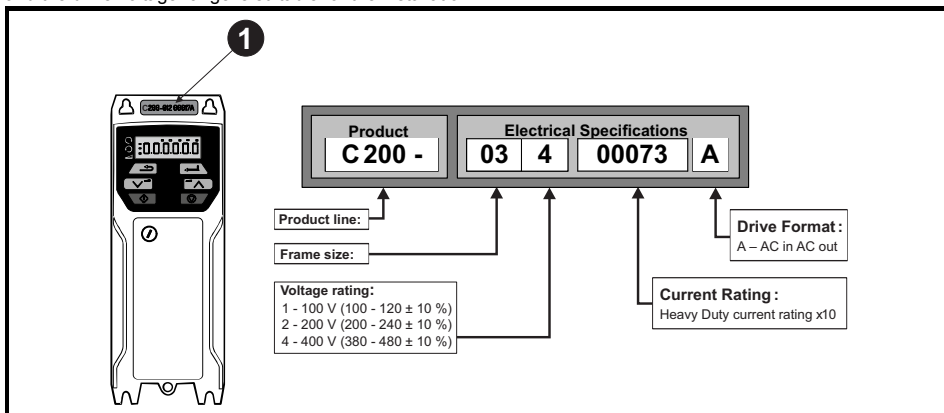
STEP 1: Check the contents of the box

Check you have all the components and your drive has not been damaged during transportation.



STEP 2: Check model and voltage

The model number can be found on the identification label **1** on the top of the drive. Please check that the model and the drive voltage range is suitable for the installation.

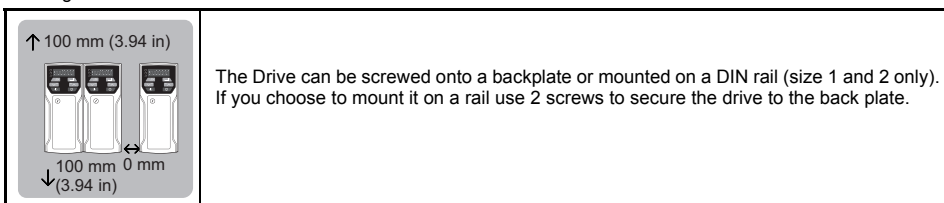


STEP 3: Mount the drive

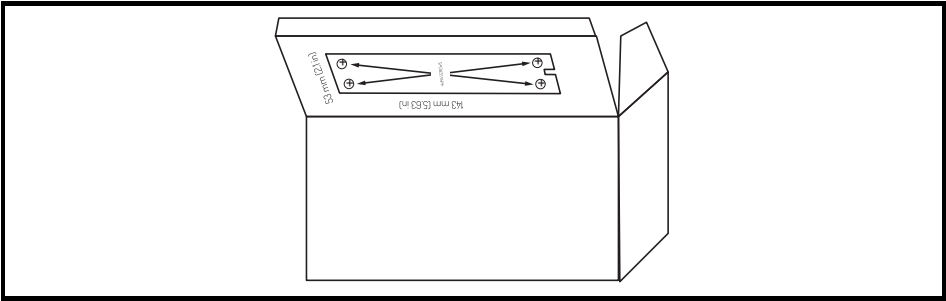
The drive should be mounted in an ambient temperature range of - 20 °C to 60 °C (- 4 °F to 140 °F).

Output current derating may be required at ambient temperatures > 40 °C (104 °F). Refer to the **Power Installation Guide** (section 5.1). For UL installations, the maximum ambient temperature permitted is 50 °C (104 °F) with any specified derating applied.

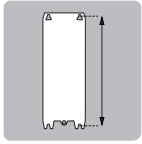
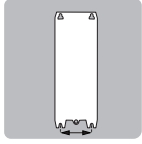
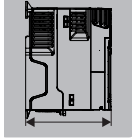

Drives can be panel mounted with **0 mm** space between them. A minimum clearance of **100 mm (3.94 in)** is required above and below the drive. Refer to section 3.4 in the **Power Installation Guide** for information on derating for reduced clearances.



A **Drill template** for wall mounting is included on the drive packaging (shown below).



Alternatively refer to the table below for the mounting and overall dimensions.

Frame	 H		 W		 D	 Ø	Weight
	Mounting	Overall	Mounting	Overall	Overall	Diameter	
1	143 mm (5.7 in)	160 mm (6.3 in)	53 mm (2.08 in)	75 mm (2.95 in)	130 mm (5.1 in)	5 mm (0.2 in)	0.75 kg (1.65 lb)
2	194 mm (7.63 in)	205 mm (8.07 in)	55 mm (2.17 in)	75 mm (2.95 in)	150 mm (5.9 in)	5 mm (0.2 in)	1.3 kg (3.0 lb)
3	215 mm (8.46 in)	226 mm (8.9 in)	70.7 mm (2.80 in)	90 mm (3.54 in)	160 mm (6.3 in)	5 mm (0.2 in)	1.5 kg (3.3 lb)
4	265 mm (10.43 in)	277 mm (10.9 in)	86 mm (3.40 in)	115 mm (4.5 in)	175 mm (6.9 in)	6 mm (0.23 in)	3.13 kg (6.9 lb)

STEP 4: Select supply / motor cables and fuses or MCB

The supply/motor cables and fuses or MCB's used should follow the ratings provided in the table below:



The voltage rating of fuses and MCBs must be greater than or equal to the highest supply voltage of the system. **Fuses:** The AC supply to the drive must be installed with suitable protection against overload. Failure to observe this requirement will cause risk of fire.

NOTE

Ground conductor size:- Either 10 mm² or two conductors of the same cross-sectional area as the input conductors.

Model	Input Phases	Fuses		MCB rating**	Cables			
		IEC Class gG	UL Class CC J, or T*		IEC60364-5-52 mm ²		UL 508C AWG	
		A	A		Input	Output	Input	Output
01100017	1	10	15	15	1	1	16	16
01100024	1	16	15	15	1.5	1	14	16
02100042	1	20	20	15	2.5	1	12	16
02100056	1	25	25	15	4	1	10	16
01200017	1	6	6	15	1	1	16	16
01200024	1	6	6	15	1	1	16	16
01200033	1	10	15	15	1	1	16	16
01200042	1	16	15	15	1	1	16	16
02200024	1 / 3	6/6	6/6	15	1	1	16	16
02200033	1 / 3	10/10	10/10	15	1	1	16	16
02200042	1 / 3	16/10	15/10	15	1	1	16	16
02200056	1 / 3	20/16	20/15	15	2.5/1.5	1	12/14	16
02200075	1 / 3	20/16	20/15	15	2.5	1	12	16
03200100	1 / 3	25/20	25/20	25/20	4	1.5	10/12	14
04200133	1 / 3	25/20	25/20	25/20	4/2.5	2.5	10	12
04200176	3	25	25	25	4	2.5	10	12
02400013	3	6	6	15	1	1	16	16
02400018	3	6	6	15	1	1	16	16
02400023	3	6	6	15	1	1	16	16
02400032	3	6	6	15	1	1	16	16
02400041	3	10	6	15	1	1	16	16
03400056	3	10	15	15	1	1	14	16
03400073	3	16	15	15	1.5	1	12	16
03400094	3	16	15	25	2.5	1.5	12	14
04400135	3	20	20	20	2.5	2.5	10	12
04400170	3	25	25	25	4	2.5	10	12

* These fuses are fast acting.

** For UL installations, the circuit breaker must be listed under category control number DIVQ / DIVQ7, rated 600 Vac with a short circuit rating > 10 kA. In other countries, circuit breakers compliant with EN IEC 60947-2 are recommended, with > 10 kA short circuit breaking capacity

NOTE

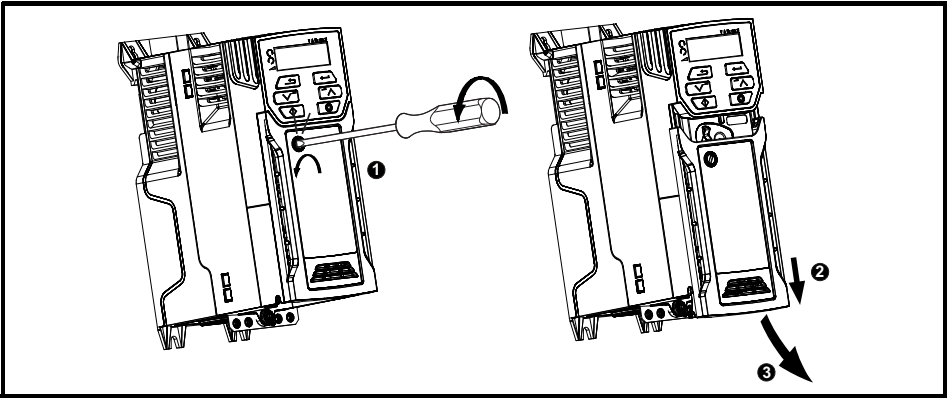
The product is UL listed for use on a circuit up to 100 kA maximum supply symmetrical fault current, when protected by fuses.

NOTE

IEC cable sizes assume Copper conductor, PVC insulation, Installation method B2 and ambient temperature of 40 °C (104 °F). UL cable sizes assume Copper conductor with insulation rated at 75 °C (167 °F).

STEP 5: Remove the terminal cover

1. Using a flat bladed screwdriver, turn the terminal cover locking clip anti-clockwise by approximately 30°.
2. Slide the terminal cover down.
3. Remove terminal cover in direction shown.



STEP 6: Wire the drive up

Power connections

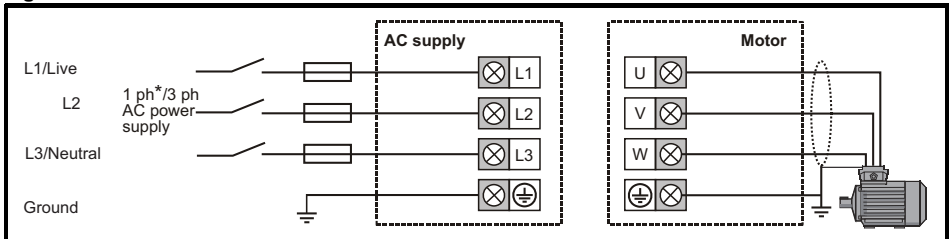
When wiring the drive the power, ground and control connections, they should be tightened to the recommended torque settings shown in the table below:

Table 6-1 Recommended torque settings

Model size	Terminal block description	Torque settings
All	Control terminals	0.2 N m (0.15 lb ft)
	Relay terminals	0.5 N m (0.37 lb ft)
1	Power terminals	0.5 N m (0.37 lb ft)
2, 3, 4		1.4 N m (1.03 lb ft)
All	Ground terminals	1.5 N m (1.10 lb ft)

Connect the supply and motor connections using the cables and fuses or MCB's quoted in the table shown in Step 4. When using a single phase supply, the supply should be connected to L1 and L3.

Figure 6-1 Power terminal connections



Ground connections

The supply and motor ground connections are made using the ground busbar located at the bottom of the drive as shown in Figure 6-2.



Electrochemical corrosion of grounding terminals

Ensure that grounding terminals are protected against corrosion i.e. as could be caused by condensation.



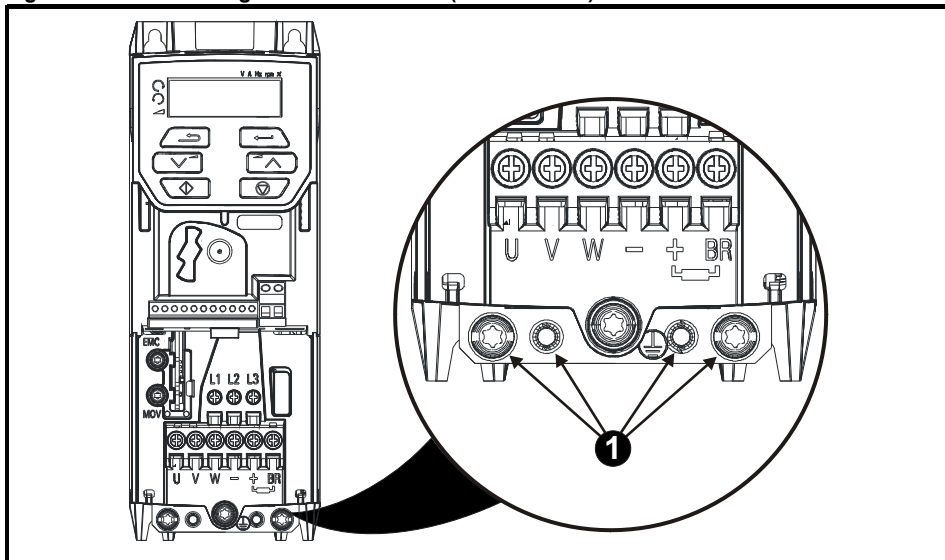
The ground loop impedance must conform to the requirements of local safety regulations. The drive must be grounded by a connection capable of carrying the prospective fault current until the protective device (fuse, etc.) disconnects the AC supply.

The ground connections must be inspected and tested at appropriate intervals.

Minimum ground conductor size

Either 10 mm² or two conductors of the same cross-sectional area as the input phase conductor.

Figure 6-2 Size 1 to 4 ground connections (size 2 shown)

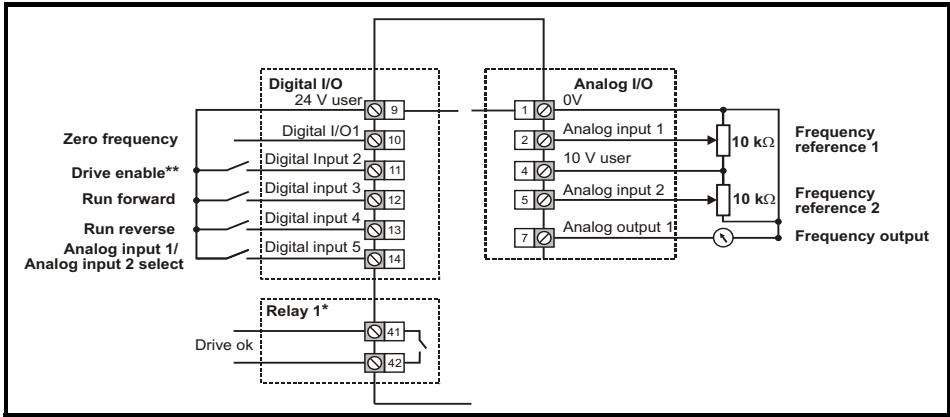


1: 4 x M4 threaded holes for the ground connection busbar.

Control connections

The control terminals are configured by default for the arrangement shown below:

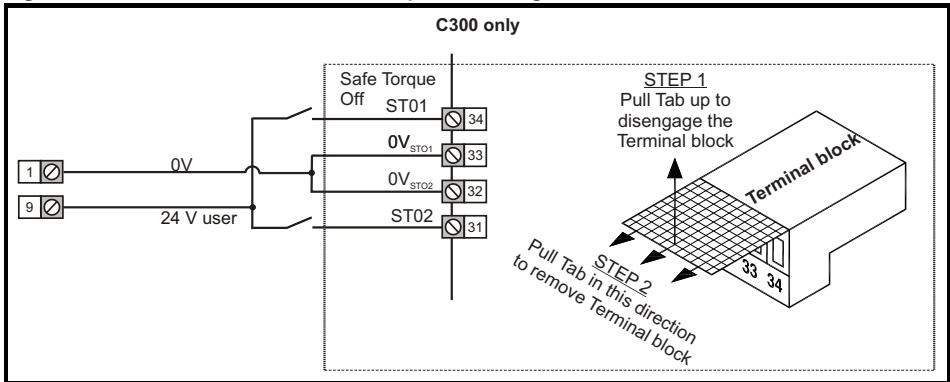
Figure 6-3 Commander C200/C300 control terminal connections



* 250 Vac maximum (UL class 1).

** Commander C300 uses 'Safe Torque Off' so terminal 11 is unassigned on the Commander C300. When using a Commander C300 refer to the 'Safe Torque Off' wiring instructions below:

Figure 6-4 Commander C300 Safe Torque Off wiring instructions

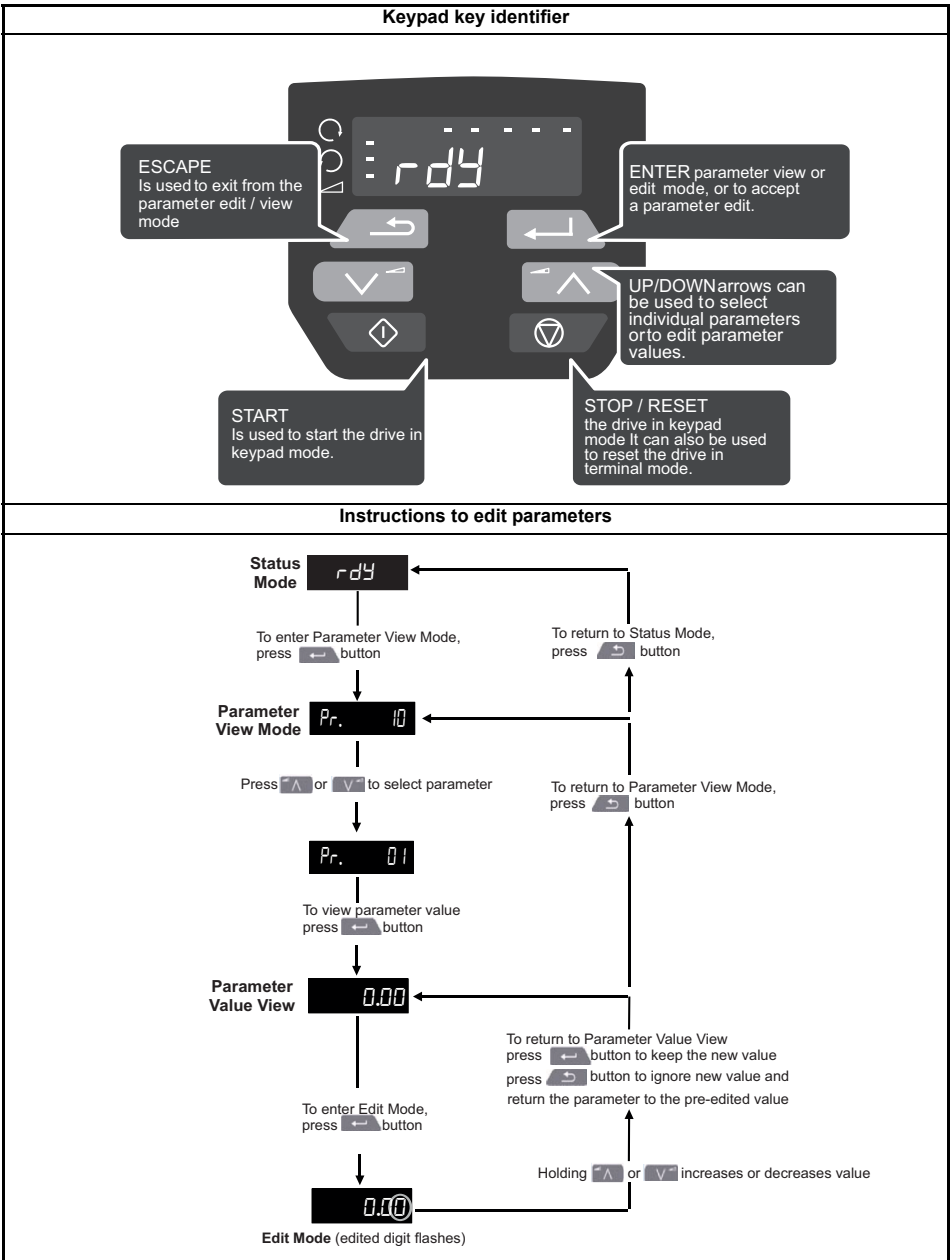


After completing step 6 re-fit the terminal cover (refer to step 5).

Refer to section 4.4 in the **Control User Guide** for information and wiring diagrams for alternative configurations.

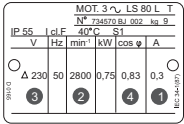




STEP 7: Use the keypad

The display provides information to the user regarding the operating status of the drive, alarms and trip code. The keypad provides the means for changing parameters, stopping and starting the drive, and the ability to perform a drive reset.



STEP 8: Run the motor

This step will provide instruction on how to set-up the basic drive parameters, perform an auto-tune and run the motor in analog input terminal mode or keypad mode.

Action	Detail
Power Up	Ensure: <ul style="list-style-type: none"> The drive displays: inh (Enable terminal(s) is open)
Minimum and maximum speed	Enter: <ul style="list-style-type: none"> Minimum speed Pr 01 (Hz) Maximum speed Pr 02 (Hz)
Accel and Decel rates	Enter: <ul style="list-style-type: none"> Acceleration rate Pr 03 (s) Deceleration rate Pr 04 (s)
Motor nameplate details	<ol style="list-style-type: none"> Motor rated current in Pr 06 (Amps) Motor rated speed in Pr 07 (rpm / min⁻¹) Motor rated voltage in Pr 08 (Volts) Motor Rated Power factor (Cos) in Pr 09 
Ready to autotune	
Autotune	<p>The drive is able to perform either a stationary or a rotating autotune. The motor must be at a standstill before any autotune is enabled and disconnected from the load for a rotating autotune.</p> <p>To perform an autotune:</p> <ul style="list-style-type: none"> Set Pr 10 to L2. Go to Pr 38. Set Pr 38 = 1 for a stationary autotune or set Pr 38 = 2 for a rotating autotune Close the drive enable signal (apply +24 V to terminal 11 or terminal 31 and 34 on Commander C300). The drive will display 'rdy'. Give a Run command (apply +24 V to terminal 12 - Run forward or terminal 13 - Run reverse. The display will flash 'tuning' while the drive is performing the autotune. Wait for the drive to display 'inh' and for the motor to come to a standstill. Remove the drive enable and run signal from the drive.
Ready to run (Analog input terminal mode by default)	
Run	The drive is now ready to run the motor. Close enable (C200) or Safe Torque Off (C300) and the Run Forward or Run Reverse terminals.
Increasing and decreasing speed	Changing the selected Analog frequency reference will increase and decrease the speed of the motor.
Stopping	To stop the motor by following the selected deceleration rate, open either the run forward or run reverse terminals. If the enable terminal is opened while the motor is running, the drive output is immediately disabled and the motor will coast to a stop.
Ready to run (Keypad mode)	
Run	<p>The drive is now ready to run the motor. Set Pr 05 to 'PAD'. Close enable (C200) or Safe Torque Off (C300).</p> <p>Press the start key </p>
Increasing and decreasing speed	Press the up and down keys   to increase and decrease the speed.
Stopping	Press the Stop/Reset key 

Additional Information

Troubleshooting

When the drive detects a fault it will display an error code. To locate and solve all error codes, a 'Diagnostic Tool (App)' is available on Microsoft, Android and iOS platform via the 'Apps' store on Smartphone / Tablet, search for '**Control Techniques diagnostics tool in the Apps store**'. Alternatively, please download the 'Diagnostic Tool (App)' from the Control Techniques 'App Center' or view the diagnostics section in the **Control User Guide** available for download from the Control Techniques or Leroy Somer website.

Status Indicators


The table below shows the different status indicators available on the display.

Table 10-1 Status indications

String	Description	Drive output stage
inh	The drive is inhibited and cannot be run. The Drive Enable signal is not applied to the drive enable terminal or is set to 0.	Disabled
rdy	The drive is ready to run. The drive enable is active, but the drive inverter is not active because the final drive run is not active	Disabled
Stop	The drive is stopped / holding zero speed.	Enabled
LOSS	Supply loss condition has been detected	Enabled
dc inj	The drive is applying dc injection braking	Enabled
Er	The drive has tripped and no longer controlling the motor. The trip code appears on the display.	Disabled
UV	The drive is in the under voltage state.	Disabled

Restoring drive defaults

The drive can be restored to the original factory settings by following the procedure below:

1. Ensure the drive is not enabled, i.e. terminal 11(or terminal 31 and 34 on Commander C300) is open.
2. Select 'Def.50 (50 Hz settings) or Def.60 (60 Hz settings)' in Pr **00**.
3. Press the red  reset button.

Basic parameters range and default

For information on parameters beyond Pr **00** to Pr **10** refer to the Quick Start Guide.

Parameter		Range (⇕)	Default (⇔)
01	Minimum Speed	0.00 to Pr 02 Hz	0.00 Hz
02	Maximum Speed	0.00 to 550.00 Hz	Def.50: 50.00 Hz Def.60: 60.00 Hz
03	Acceleration Rate 1	0.0 to 32000.0 s	5.0 s
04	Deceleration Rate 1	0.0 to 32000.0 s	10.0 s
05	Drive Configuration	AV (0), AI (1), AV.Pr (2), AI.Pr (3), PrESEt (4), PAd (5), PAd.rEF (6), E.Pot (7), torque (8), Pid (9) Refer to the Control User Guide for further information	AV (0)
06	Motor Rated Current	0.00 to Drive Rating Amps	Maximum Heavy Duty Rating Amps
07	Motor Rated Speed	0.0 to 33000.0 rpm	Def.50: 1500.0 rpm Def.60: 1800.0 rpm
08	Motor Rated Voltage	0 to 240 V or 0 to 480 V	110V drive: 230 V 200V drive: 230 V 400V drive Def.50: 400 V 400V drive Def.60: 460 V
09	Motor Rated Power Factor	0.00 to 1.00	0.85
10	User Security Status	Refer to the Control User Guide for further information	LEVEL.1

Appendix A UL listing information

This addendum provides additional information requested by UL to be supplied with the product.

A.1 UL file reference

All models are UL Listed to both Canadian and US requirements. The UL file reference is: NMMS/7.E171230. Products that incorporate the Safe Torque Off function have been investigated by UL. The UL file reference is: FSPC.E171230.

A.2 Option modules, kits and accessories

Option Modules, Control Pods, Installation Kits and other accessories for use with these drives are UL Listed.

A.3 Enclosure ratings

All models are Open Type as supplied.

The drive enclosure is not classified as a fire enclosure. A separate fire enclosure must be provided. A UL/ NEMA Type 12 enclosure is suitable.

When fitted with a conduit box the drives meet the requirements for UL Type 1. Type 1 enclosures are intended for indoor use, primarily to provide a degree of protection against limited amounts of falling dirt.

The drives meet the requirements for UL Type 12 when installed inside a Type 12 enclosure and through-hole mounted using the sealing kit and the high-IP insert (where provided).

When through-hole mounted, the drives have been evaluated as suitable for use in surrounding air temperatures up to 40 °C.

Remote Keypads are UL Type 12 when installed with the sealing washer and fixing kit provided.

When installed in a Type 1 or Type 12 enclosure, the drives may be operated in a compartment handling conditioned air.

A.4 Mounting

Drives may be surface mounted using the appropriate brackets. Drives may be mounted singly or side by side with suitable space between them (bookcase mounting).

A.5 Environment

Drives must be installed in a Pollution Degree 2 environment or better (dry, non-conductive pollution only).

The drives have been evaluated for use at ambient temperatures up to 40 °C. The drives have additionally been evaluated for 50 °C and 55 °C ambient air temperatures with a derated output.

A.6 Electrical Installation

OVERVOLTAGE CATEGORY

OVC III

SUPPLY

The drives are suitable for use on a circuit capable of delivering not more than 100,000 RMS symmetrical amperes, 600 Volts AC Maximum.

TERMINAL TORQUE

Terminals must be tightened to the rated torque as specified in the Installation Instructions.

WIRING TERMINALS

Drives must be installed using cables rated for 75 °C operation, copper wire only.

Where possible, UL Listed closed-loop connectors sized according to the field wiring shall be used for all field power wiring connections.

GROUND CONNECTION INSTRUCTIONS

UL Listed closed-loop connectors sized according to the field wiring shall be used for grounding connections.

BRANCH CIRCUIT PROTECTION

The fuses and circuit breakers required for branch circuit protection are specified in the Installation Instructions.

OPENING OF BRANCH CIRCUIT

Opening of the branch-circuit protective device may be an indication that a fault has been interrupted. To reduce the risk of fire or electric shock, the equipment should be examined and replaced if damaged. If burnout of the current element of an overload relay occurs, the complete overload relay must be replaced.

Integral solid state short circuit protection does not provide branch circuit protection. Branch circuit protection must be provided in accordance with the National Electrical Code (NEC), The Canadian Electrical Code, and any additional local codes.

DYNAMIC BRAKING

Commander C200/C300, frame sizes 1 to 4 have been evaluated for dynamic braking applications. Other drive models have not been evaluated for dynamic braking.

A.7 Motor overload protection and thermal memory retention

The devices incorporate solid state overload protection for the motor load. The protection levels are expressed as a percentage of full-load current. Refer to the *Control User Guide* for further information.

In order for the motor protection to work properly, the motor rated current must be entered into Pr **06** or Pr **05.007**.

The protection level may be adjusted below 150 % if required. Refer to the *Control User Guide* for further information.

All models are provided with thermal memory retention.

A.8 External Class 2 supply

The external power supply used to power the 24 V control circuit shall be marked: "UL Class 2". The power supply voltage shall not exceed 24 Vdc.

Français

Présentation

Les Commander C200 et C300 sont une gamme simple et flexible de variateurs de 0,25 à 132 kW, disponibles en 9 tailles et trois plages de tension d'entrée (100 V, 200 V et 400 V).

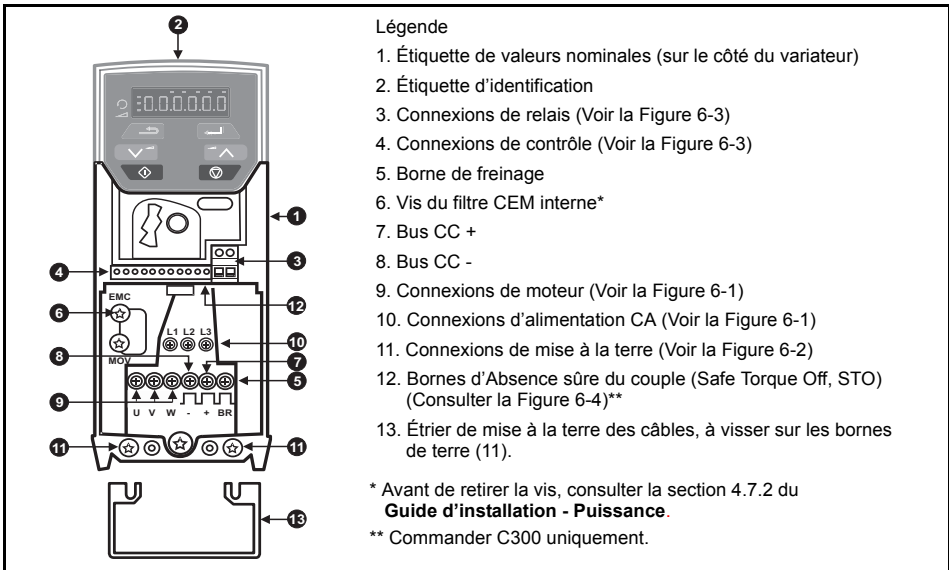
Ce Guide pas à pas fournit des instructions simples étape par étape, qui vous permettront de monter le variateur, de sélectionner des fusibles et des câbles, de raccorder et de programmer le variateur, puis d'activer le moteur en mode analogique ou en mode Clavier pour les tailles 1 à 4.

Les informations suivantes peuvent être téléchargées depuis le site www.drive-setup.com :

- Guide de mise en service rapide du Commander C200/C300
- Guide de mise en service - Contrôle du Commander C200/C300
- Guides d'installation - Puissance du Commander C200/C300
- Guide des paramètres du Commander C200/C300
- Vidéos de configuration du Commander C200/C300

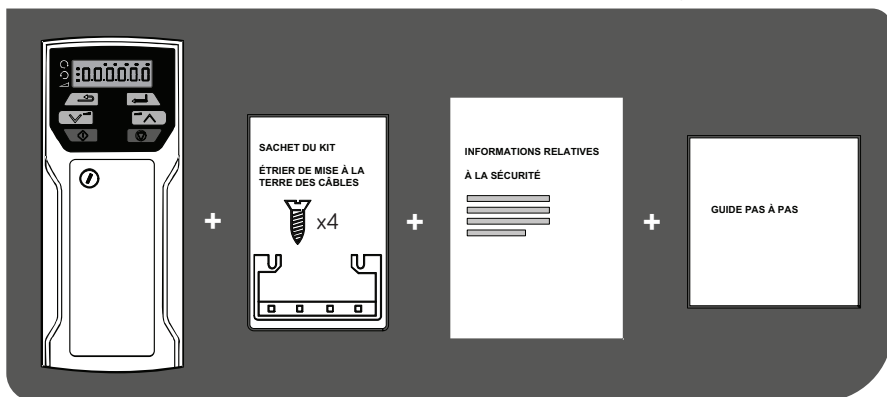
Caractéristiques générales du variateur

Figure 1-1 Schéma des fonctions (taille 2 illustrée)



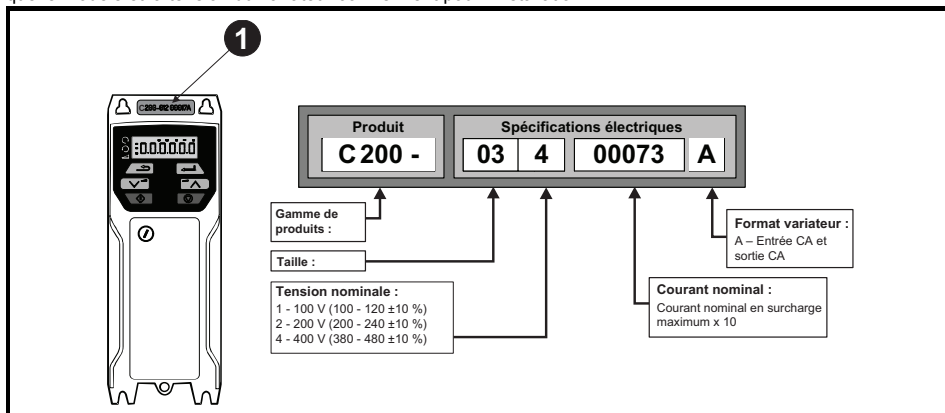
ÉTAPE 1: Vérification du contenu du carton

Vérifier que tous les éléments sont présents et que le variateur n'a pas été endommagé pendant le transport.



ÉTAPE 2: Vérification du modèle et de la tension

Le numéro du modèle est indiqué sur l'étiquette d'identification **1** qui se trouve sur le haut du variateur. Vérifier que le modèle et la tension du variateur conviennent pour l'installation.

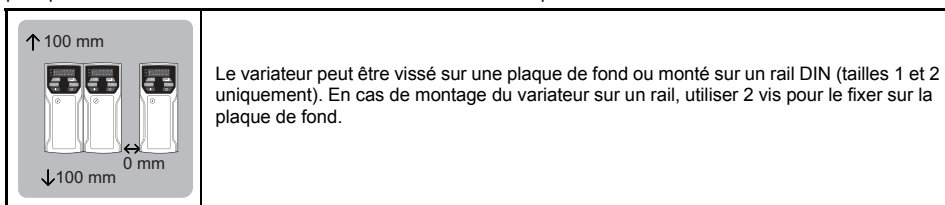


ÉTAPE 3: Montage du variateur

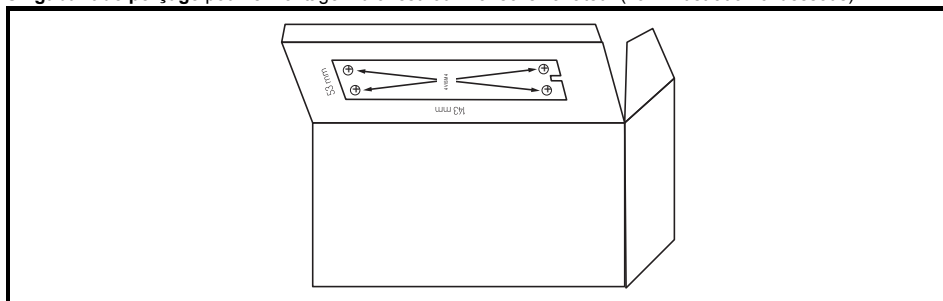
Monter le variateur lorsque la température ambiante est comprise entre - 20 °C et 60 °C.

Un déclassement des courants de sortie peut être nécessaire en cas de température ambiante supérieure à 40 °C. Consulter le **Guide d'installation - Puissance** (Section 5.1). Pour les installations UL, la température ambiante maximale autorisée est de 50 °C, quel que soit le déclassement appliqué.

Les variateurs peuvent être montés sur une paroi **sans espacement** entre eux. Prévoir un espacement minimum de **100 mm** au-dessus et au-dessous du variateur. Consulter la section 3.4 du **Guide d'installation - Puissance** pour plus d'informations concernant le déclassement en cas d'espacements inférieurs.



Un gabarit de perçage pour le montage mural est fourni avec le variateur (voir l'illustration ci-dessous).



Le tableau ci-dessous récapitule également les dimensions de montage et hors tout.

Taille	H		L		P	Ø	Poids
	Montage	Hors tout	Montage	Hors tout	Hors tout	Diamètre	
1	143 mm	160 mm	53 mm	75 mm	130 mm	5 mm	0,75 kg
2	194 mm	205 mm	55 mm	75 mm	150 mm	5 mm	1,3 kg
3	215 mm	226 mm	70,7 mm	90 mm	160 mm	5 mm	1,5 kg
4	265 mm	277 mm	86 mm	115 mm	175 mm	6 mm	3,13 kg

ÉTAPE 4: Sélection des câbles et des fusibles d'alimentation/moteur ou des disjoncteurs magnéto-thermiques

Les câbles et les fusibles d'alimentation/moteur ou les disjoncteurs magnéto-thermiques utilisés doivent respecter les puissances nominales figurant dans le tableau ci-dessous :



La tension nominale des fusibles et des disjoncteurs magnéto-thermiques doit être supérieure ou égale à la tension d'alimentation maximum du système. **Fusibles** : L'alimentation CA appliquée au variateur doit être équipée d'une protection adaptée contre les surcharges. Le non-respect de cette spécification peut entraîner un risque d'incendie.

NOTE

Taille du conducteur de terre : conducteur de 10 mm² ou deux conducteurs de la même section que les conducteurs de phase en entrée.

Modèle	Phases d'entrée	Fusibles		Disjoncteur magnéto-thermique**	Câbles			
		CEI classe gG	UL Classe CC, J ou T*		IEC60364-5-52 mm ²		UL 508C AWG	
		A	A		Entrée	Sortie	Entrée	Sortie
01100017	1	10	15	15	1	1	16	16
01100024	1	16	15	15	1,5	1	14	16
02100042	1	20	20	15	2,5	1	12	16
02100056	1	25	25	15	4	1	10	16
01200017	1	6	6	15	1	1	16	16
01200024	1	6	6	15	1	1	16	16
01200033	1	10	15	15	1	1	16	16
01200042	1	16	15	15	1	1	16	16
02200024	1 / 3	6/6	6/6	15	1	1	16	16
02200033	1 / 3	10/10	10/10	15	1	1	16	16
02200042	1 / 3	16/10	15/10	15	1	1	16	16
02200056	1 / 3	20/16	20/15	15	2,5/1,5	1	12/14	16
02200075	1 / 3	20/16	20/15	15	2,5	1	12	16
03200100	1 / 3	25/20	25/20	25/20	4	1,5	10/12	14
04200133	1 / 3	25/20	25/20	25/20	4/2,5	2,5	10	12
04200176	3	25	25	25	4	2,5	10	12
02400013	3	6	6	15	1	1	16	16
02400018	3	6	6	15	1	1	16	16
02400023	3	6	6	15	1	1	16	16
02400032	3	6	6	15	1	1	16	16
02400041	3	10	6	15	1	1	16	16
03400056	3	10	15	15	1	1	14	16
03400073	3	16	15	15	1,5	1	12	16
03400094	3	16	15	25	2,5	1,5	12	14
04400135	3	20	20	20	2,5	2,5	10	12
04400170	3	25	25	25	4	2,5	10	12

* Ces fusibles sont à action rapide.

** Pour les installations UL, le disjoncteur doit être listé sous le numéro de contrôle de la catégorie DIVQ/DIVQ7, dimensionné pour 600 V CA avec une valeur nominale de court-circuit supérieure à 10 kA. Dans les autres pays, il est recommandé d'utiliser des disjoncteurs conformes EN CEI 60947-2 avec une capacité de court-circuit supérieure à 10 kA.

NOTE

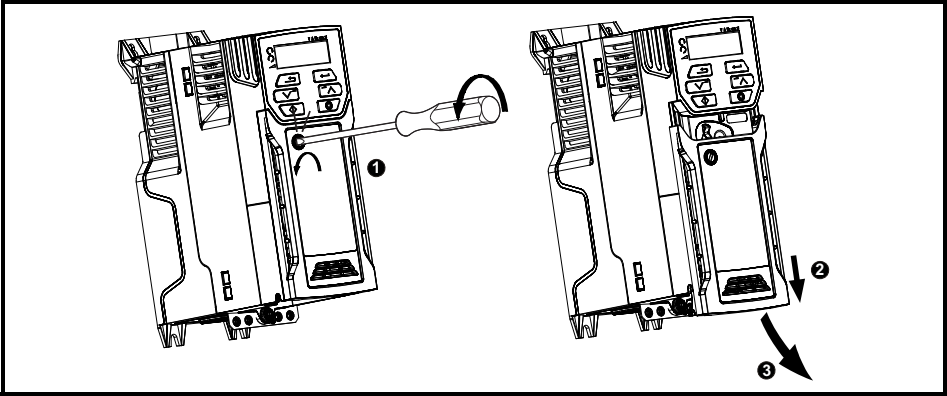
Le produit est conforme UL et peut être utilisé dans un circuit dont le défaut en courant symétrique maximum de l'alimentation est de 100 kA en présence de fusibles de protection.

NOTE

Les sections de câble conformes CEI sont basées sur un conducteur en cuivre, une isolation PVC, une méthode d'installation des câbles B2 et une température ambiante de 40 °C. Les sections de câble conformes UL sont basées sur un conducteur en cuivre avec une isolation prévue pour 75 °C.

ÉTAPE 5: Démontage du capot

1. À l'aide d'un tournevis plat, faire tourner le clip de fixation du capot d'environ 30° dans le sens anti-horaire.
2. Faire glisser le capot vers le bas.
3. Retirer le capot dans le sens indiqué.



ÉTAPE 6: Câblage du variateur

Raccordements de puissance

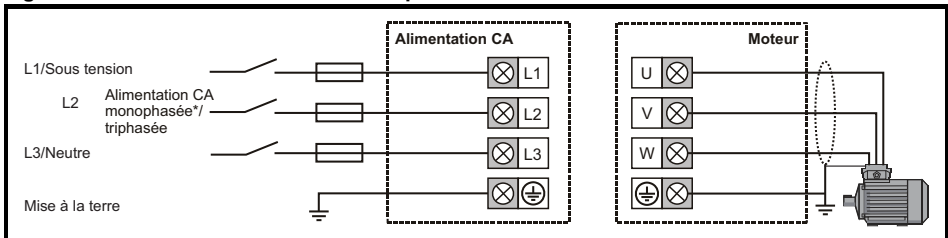
Lors du câblage du variateur sur l'alimentation, la mise à la terre et les connexions de contrôle, veiller à serrer aux couples de serrage recommandés indiqués dans le tableau ci-dessous :

Tableau 6-1 Couples de serrage recommandés

Tailles	Description du bornier	Couples de serrage
Tous	Bornes de contrôle	0,2 N m
	Bornes de relais	0,5 N m
1	Bornes de puissance	0,5 N m
2, 3, 4		1,4 N m
Tous	Bornes de terre	1,5 N m

Raccorder les connexions d'alimentation et de moteur à l'aide de câbles et des fusibles ou des disjoncteurs magnéto-thermiques mentionnés dans le tableau apparaissant à l'Étape 4. En monophasé, l'alimentation doit être raccordée à L1 et L3.

Figure 6-1 Connexions des bornes de puissance



Connexions de mise à la terre

Les connexions de mise à la terre de l'alimentation et du moteur s'effectuent sur la barre de terre située à la base du variateur, comme illustré sur la Figure 6-2.



Corrosion électrochimique des bornes de terre

S'assurer que les bornes de terre sont protégées contre la corrosion, notamment celle qui peut être causée par la condensation.



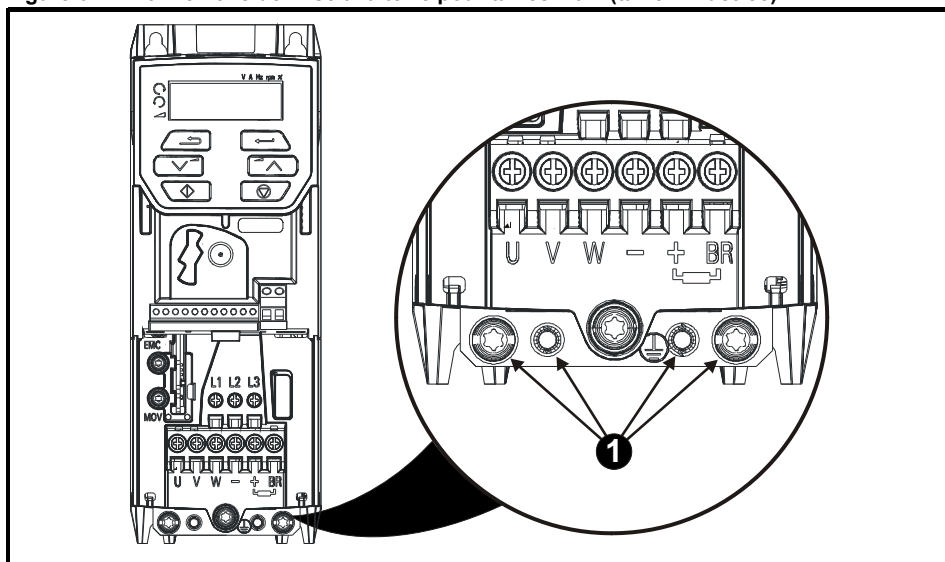
L'impédance du circuit de mise à la terre doit être conforme aux réglementations locales en matière de sécurité.

Le variateur doit être mis à la terre au moyen d'un raccordement capable de supporter tout défaut en courant éventuel jusqu'à ce que le dispositif de protection (fusibles, etc.) déconnecte l'alimentation CA. Les connexions de mise à la terre doivent faire l'objet de contrôles et de tests réguliers.

Taille minimum du conducteur de terre

Conducteur de 10 mm² ou deux conducteurs de la même section que le conducteur de phase d'entrée.

Figure 6-2 Connexions de mise à la terre pour tailles 1 à 4 (taille 2 illustrée)

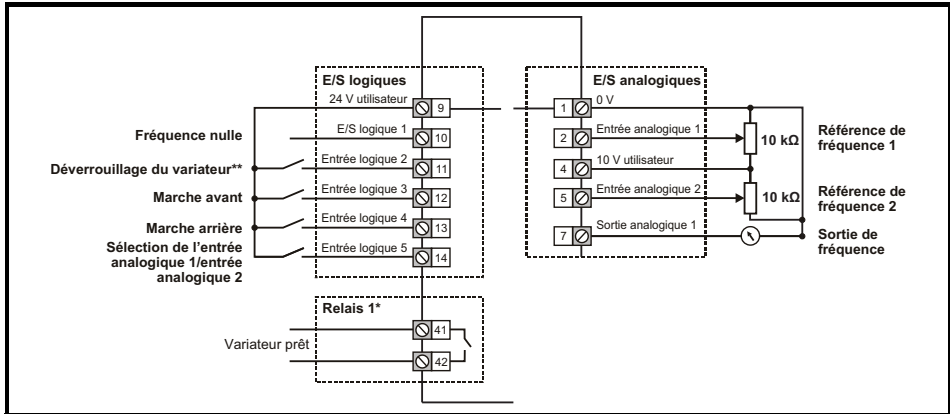


1 : 4 trous filetés M4 pour la barre de raccordement à la terre.

Connexions de contrôle

Les bornes de contrôle sont configurées par défaut pour l'installation illustrée ci-dessous :

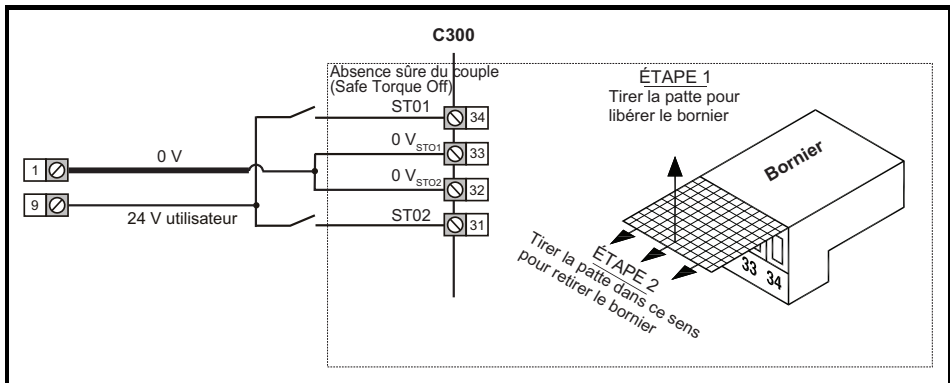
Figure 6-3 Connexions des bornes de contrôle du Commander C200/C300



* 250 Vac maximum (UL classe 1).

** Le Commander C300 utilise les entrées Absence sûre de couple (Safe Torque Off) ; par conséquent, la borne 11 n'a pas d'affectation sur le Commander C300. Lors de l'utilisation d'un Commander C300, consulter les instructions de câblage Absence sûre de couple (Safe Torque Off) ci-dessous :

Figure 6-4 Instructions de câblage Absence sûre de couple (Safe Torque Off) pour le Commander C300



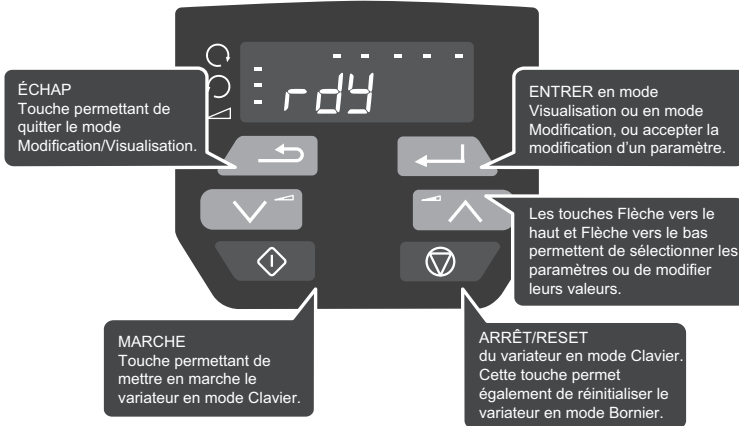
Après avoir effectué l'étape 6, remettre le capot en place (consulter l'étape 5).

Consulter la section 4.4 du **Guide de mise en service - Contrôle** pour les informations et les schémas de câblage relatifs aux autres configurations possibles.

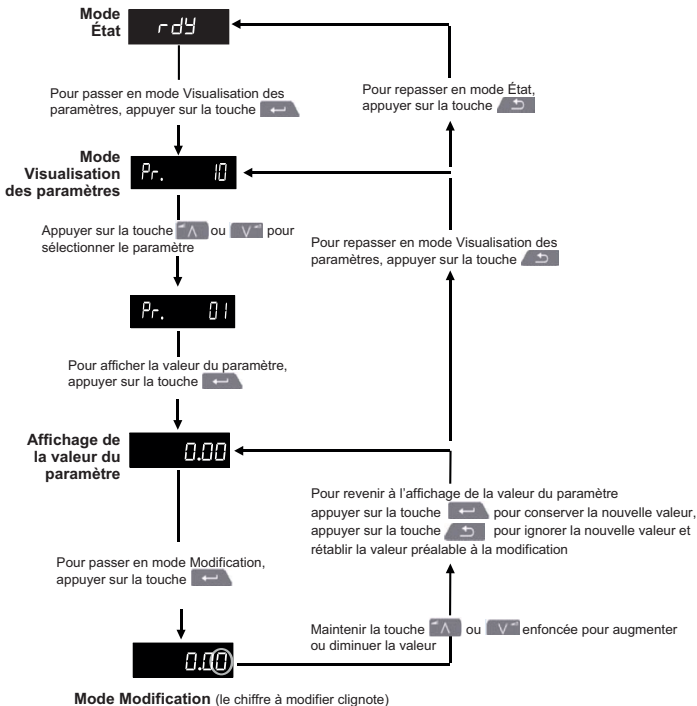
ÉTAPE 7: Utilisation du clavier

L'afficheur présente des informations relatives à l'état de fonctionnement du variateur, aux codes et aux alarmes de sécurité. Le clavier peut être utilisé pour modifier les paramètres, arrêter et mettre en route le variateur ou faire un reset du variateur.

Identification des touches du clavier




Instructions de modification des paramètres



ÉTAPE 8: Mise en marche du moteur

Cette étape est l'occasion de configurer les paramètres de base du variateur, de procéder à un autocalibrage et d'activer le moteur en mode Bornier d'entrée analogique ou en mode Clavier.

Action	Description																				
Mise sous tension	Vérifier que : <ul style="list-style-type: none"> Le variateur affiche : inh (borne(s) de déverrouillage ouverte(s)) 																				
Vitesse minimum et maximum	Entrer : <ul style="list-style-type: none"> La vitesse minimum dans Pr 01 (Hz) La vitesse maximum dans Pr 02 (Hz) 																				
Rampes d'accél./décél.	Entrer : <ul style="list-style-type: none"> La rampe d'accélération dans Pr 03 (s) La rampe de décélération dans Pr 04 (s) 																				
Données figurant sur la plaque signalétique du moteur	<ol style="list-style-type: none"> Le courant nominal du moteur dans Pr 06 (A) La vitesse nominale du moteur dans Pr 07 (min⁻¹) La tension nominale du moteur dans Pr 08 (V) Le facteur de puissance nominal du moteur (Cos) dans Pr 09  <p>Plaque signalétique du moteur (MOT 3 A, LS 80 L T) :</p> <table border="1"> <tr> <td>IP 55</td> <td>1 cl.F</td> <td>40°C S1</td> <td colspan="2"></td> </tr> <tr> <td>V</td> <td>Hz</td> <td>min⁻¹</td> <td>kW</td> <td>cos φ</td> </tr> <tr> <td>Δ 230</td> <td>50</td> <td>2800</td> <td>0,75</td> <td>0,83</td> </tr> <tr> <td>3</td> <td>2</td> <td>4</td> <td>3</td> <td>0,3</td> </tr> </table>	IP 55	1 cl.F	40°C S1			V	Hz	min ⁻¹	kW	cos φ	Δ 230	50	2800	0,75	0,83	3	2	4	3	0,3
IP 55	1 cl.F	40°C S1																			
V	Hz	min ⁻¹	kW	cos φ																	
Δ 230	50	2800	0,75	0,83																	
3	2	4	3	0,3																	
Variateur prêt pour l'autocalibrage																					
Autocalibrage	<p>Le variateur est en mesure de procéder à un autocalibrage à l'arrêt ou en rotation. Le moteur doit être immobile avant l'activation de l'autocalibrage et déconnecté de la charge pour un autocalibrage avec rotation.</p> <p>Pour effectuer un autocalibrage :</p> <ul style="list-style-type: none"> Paramétrer Pr 10 sur L2. Aller à Pr 38. Régler Pr 38 sur 1 pour effectuer un autocalibrage à l'arrêt ou Pr 38 sur 2 pour un autocalibrage avec rotation. Fermer le signal de déverrouillage du variateur (appliquer +24 V à la borne 11 ou aux bornes 31 et 34 du Commander C300). Le variateur affiche « rdy ». Donner une commande de Marche (appliquer +24 V à la borne 12 - Marche avant ou à la borne 13 - Marche arrière). Tout au long de l'exécution de l'autocalibrage, l'afficheur du variateur indiquera « tuning ». Attendre que le variateur affiche « inh » et que le moteur s'arrête. Supprimer le signal de déverrouillage et l'ordre de marche du variateur. 																				
Prêt pour la mise en marche (mode Bornier d'entrée analogique par défaut)																					
Mise en marche	Le variateur est maintenant prêt à entraîner le moteur. Fermer déverrouillage (C200) ou Absence sûre du couple (Safe Torque Off) (C300) et borne de Marche avant ou Marche arrière.																				
Augmentation et réduction de la vitesse	Tout changement de la référence de fréquence analogique sélectionnée augmente ou diminue la vitesse du moteur.																				
Arrêt	Pour un arrêt du moteur avec la rampe de décélération sélectionnée, ouvrir la borne de marche avant ou de marche arrière. Si la borne de déverrouillage est ouverte lorsque le moteur est en rotation, la sortie du variateur est immédiatement désactivée et le moteur s'arrête en roue libre.																				
Prêt pour la mise en marche (mode Clavier)																					
Mise en marche	Le variateur est maintenant prêt à entraîner le moteur. Régler Pr 05 sur « PAD ». Fermer déverrouillage (C200) ou Absence sûre du couple (Safe Torque Off) (C300). Appuyer sur la touche de Marche 																				
Augmentation et réduction de la vitesse	Appuyer sur les touches de flèche vers le haut et vers le bas   pour augmenter ou diminuer la vitesse.																				
Arrêt	Appuyer sur la touche Arrêt/Reset 																				

Informations supplémentaires

Dépannage

Lorsque le variateur détecte un défaut, il affiche un code d'erreur. Pour localiser et corriger tous les codes d'erreur, l'application « Diagnostic Tool (App) » est disponible sur les plateformes Microsoft, Android et iOS via l'App Store. Sur smartphone/tablette, rechercher « **Control Techniques diagnostics tool dans l'App Store** ». Cette application peut également être téléchargée à partir de l'App Center de Control Techniques. Consulter aussi la section sur les diagnostics dans le **Guide de mise en service - Contrôle** accessible en téléchargement sur le site Web de Control Techniques ou de [Leroy Somer](#).

Indicateurs d'état


Le tableau ci-dessous présente les différents indicateurs d'état présents sur l'afficheur.

Tableau 10-2 Indications d'état

Mnémonique	Description	Sortie du variateur
inh	Le variateur est verrouillé et ne peut pas être mis en marche. Le signal de déverrouillage variateur n'est pas appliqué à la borne de déverrouillage ou est réglé sur 0.	Désactivée
rdy	Le variateur est prêt pour la mise en marche. Le déverrouillage du variateur est actif mais l'onduleur du variateur n'est pas actif car le signal de marche final n'est pas actif.	Désactivée
Stop	Le variateur est arrêté/maintient le moteur à vitesse nulle.	Activée
SLoss	Une condition de perte d'alimentation a été détectée.	Activée
dc inJ	Le variateur applique un freinage par injection de courant cc.	Activée
Er	Le variateur a déclenché une sécurité et ne contrôle plus le moteur. Le code de mise en sécurité apparaît sur l'afficheur.	Désactivée
UU	Le variateur est en état de sous-tension.	Désactivée

Réinitialisation des paramètres par défaut du variateur

Il est possible de rétablir les réglages d'usine en effectuant la procédure ci-dessous :

1. S'assurer que le variateur est verrouillé : la borne 11 (ou les bornes 31 et 34 de le Commander C300) doit être ouverte.
2. Sélectionner « Def.50 (paramètres 50 Hz) ou Def.60 (paramètres 60 Hz) » dans Pr00.
3. Appuyer sur la touche Reset  rouge.

Plages et valeurs par défaut des paramètres de base

Pour des informations sur les paramètres autres que Pr 00 à Pr 10, consulter le Guide de mise en service rapide.

Paramètre	Plage (f)	Valeur par défaut (⇨)
01 Vitesse minimum	0,00 à Pr 02 Hz	0,00 Hz
02 Vitesse maximum	0,00 à 550,00 Hz	Def.50 : 50,00 Hz Def.60 : 60,00 Hz
03 Rampe d'accélération 1	0,0 à 32000,0 s	5,0 s
04 Rampe de décélération 1	0,0 à 32000,0 s	10,0 s
05 Configuration du variateur	AV (0), AI (1), AV.Pr (2), AI.Pr (3), PrESET (4), PAd (5), PAd.rEF (6), E.Pot (7), torquE (8), Pid (9) Consulter le Guide de mise en service - Contrôle pour de plus amples informations	AV (0)
06 Courant nominal moteur	0,00 au courant nominal du variateur (A)	Valeur maximum en surcharge maximum (A)
07 Vitesse nominale moteur	0,0 à 33000,0 min ⁻¹	Def.50 : 1500,0 min ⁻¹ Def.60 : 1800,0 min ⁻¹
08 Tension nominale moteur	0 à 240 V ou 0 à 480 V	Variateur 110 V : 230 V Variateur 200 V : 230 V Variateur 400 V Def. 50 : 400 V Variateur 400 V Def. 60 : 460 V
09 Facteur de puissance nominal moteur	0,00 à 1,00	0,85
10 État de sécurité utilisateur	Consulter le Guide de mise en service - Contrôle pour de plus amples informations	LEVEL.1

Annexe A Informations sur la conformité UL

Ce supplément fournit des informations devant être fournies avec le produit en raison des exigences UL.

A.1 Référence de fichier UL

Tous les variateurs sont conformes UL pour les exigences canadiennes et américaines. La référence de fichier UL est : NMMS/7.E171230.

Les produits dotés de la fonction Absence sûre du couple (Safe Torque Off) ont été évalués par l'UL. La référence de fichier UL est : FSPC.E171230.

A.2 Modules optionnels, kits et accessoires

Les modules optionnels, modules de contrôle, kits d'installation et autres accessoires conçus pour être utilisés avec ces variateurs sont conformes UL.

A.3 Indices de coffrets

Tous les modèles fournis sont Open Type.

Le coffret du variateur n'est pas ininflammable. Si nécessaire, utiliser une armoire anti-incendie. Une armoire UL/NEMA type 12 peut convenir.

S'ils sont utilisés avec des boîtiers de raccordement, les variateurs répondent aux exigences UL Type 1. Les coffrets type 1 sont destinés à une utilisation intérieure, principalement pour bénéficier d'un niveau de protection contre les retombées de poussière en quantité limitée.

Les variateurs répondent aux exigences UL Type 12 lorsqu'ils sont installés dans des boîtiers Type 12 et encastrés en utilisant le kit d'étanchéité et la protection IP élevée (si fournis).

S'ils sont encastrés, les variateurs ont été évalués et jugés appropriés pour être utilisés à une température ambiante jusqu'à 40 °C.

Les claviers Remote Keypad sont UL type 12 lorsqu'ils sont installés avec la rondelle d'étanchéité et le kit de fixation fournis.

S'ils sont installés dans des coffrets type 1 ou type 12, les variateurs peuvent fonctionner dans un compartiment (conduite) de gestion d'air conditionné.

A.4 Montage

Les variateurs peuvent être montés en surface à l'aide des fixations appropriées. Les variateurs peuvent être montés seuls ou côte à côte en respectant l'espace approprié entre eux (montage latéral).

A.5 Environnement

Les variateurs doivent être installés dans un environnement de pollution de degré 2 ou supérieur (uniquement pollution sèche, non conductrice).

Les variateurs ont été évalués pour une utilisation à température ambiante jusqu'à 40 °C. De plus, ils ont été évalués pour un fonctionnement à des températures ambiantes de 50 °C et 55 °C avec un déclassement du courant de sortie.

A.6 Installation électrique

CATÉGORIE DE SURTENSION

OVC III

ALIMENTATION

Les variateurs peuvent être utilisés dans un circuit capable de délivrer au maximum 100 000 RMS d'ampères symétriques, à 600 Volts CA maximum.

COUPLE DE SERRAGE DES BORNES

Les bornes doivent être serrées conformément au couple de serrage nominal indiqué dans les instructions d'installation.

BORNES DE RACCORDEMENT

Les variateurs doivent être installés en utilisant uniquement des câbles en cuivre conçus pour fonctionner à 75 °C. Dans la mesure du possible, des cosses à œil listées UL dimensionnées pour le câblage extérieur à l'armoire doivent être utilisées pour tous les raccordements des câbles de puissance extérieurs.

INSTRUCTIONS CONCERNANT LE RACCORDEMENT À LA TERRE

Des connecteurs en boucle fermée conformes UL dimensionnés en fonction du câblage d'excitation doivent être utilisés pour les raccordements de terre.

PROTECTION D'UN DÉPART DE LIGNE

Les fusibles et les disjoncteurs nécessaires pour la protection d'un départ de ligne sont indiqués dans les instructions d'installation.

OUVERTURE D'UN DÉPART DE LIGNE

L'ouverture du dispositif de protection du départ de ligne peut indiquer qu'une défaillance a été interrompue. Pour réduire les risques d'incendie ou de choc électrique, il faut examiner l'équipement et le remplacer s'il a été endommagé. Si l'élément de courant d'un relais de surcharge a été grillé, il faut remplacer l'intégralité du relais de surcharge.

Une protection statique intégrale contre les courts-circuits ne protège pas le départ de ligne. La protection du départ de ligne doit être effectuée conformément au NEC (National Electrical Code), le Code canadien de l'électricité et aux « codes » locaux supplémentaires éventuels.

FREINAGE DYNAMIQUE

Les Commandeur C200/C300 de tailles 1 à 4 ont été évalués pour les applications de freinage dynamique. Les autres variateurs n'ont pas été évalués pour le freinage dynamique.

A.7 Protection contre les surcharges du moteur et protection par mémorisation de l'état thermique

Une protection statique contre les surcharges du moteur est intégrée aux dispositifs. Les niveaux de protection sont exprimés en pourcentage du courant de charge pleine. Consulter le *Guide de mise en service - Contrôle* pour de plus amples informations.

Pour que la protection du moteur fonctionne correctement, il faut saisir le courant nominal du moteur dans Pr **06** ou Pr **05.007**.

Le niveau de protection peut être ajusté en dessous de 150 % si besoin. Consulter le *Guide de mise en service - Contrôle* pour de plus amples informations.

Tous les variateurs sont fournis avec une protection par mémorisation de l'état thermique.

A.8 Alimentation externe de classe 2

L'alimentation externe utilisée pour alimenter le circuit de contrôle 24 V doit être étiquetée : « UL Class 2 ». La tension d'alimentation ne doit pas dépasser 24 Vcc.

Deutsch

Einführung

Commander C200 und C300 sind einfache und flexible Umrichter mit einer Leistung von 0,25 kW bis 132 kW in 9 Baugrößen und für drei Eingangsspannungen (100 V, 200 V und 400 V).

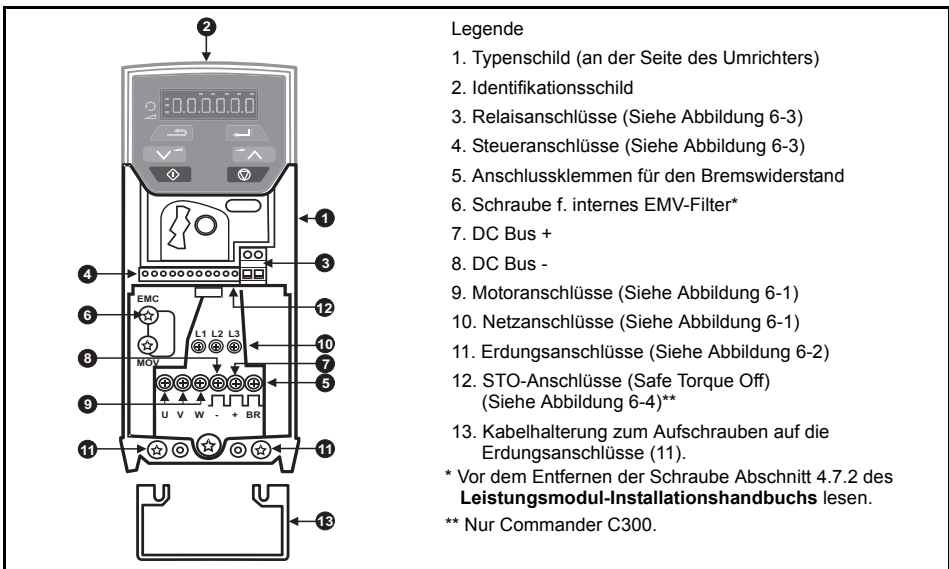
Diese Schritt-für-Schritt-Anleitung enthält Anweisungen zur Umrichterinstallation, Auswahl von Sicherungen und Kabeln, Umrichter-Verdrahtung, Umrichterprogrammierung und zum Betrieb des Motors im Analogeingangsmodus oder im Tastaturmodus für die Baugrößen 1 bis 4.

Die folgenden Informationen stehen unter www.drive-setup.com zum Download bereit:

- Commander C200/C300 Kurzanleitung
- Commander C200/C300 Betriebsanleitung: Steuereinheit
- Commander C200/C300 Leistungsmodul-Installationshandbuch
- Commander C200/C300 Parameter-Referenzleitfaden
- Commander C200/C300 Konfigurationsvideos

Umrichter-Leistungsmerkmale

Abbildung 1-1 Anschlussdiagramm (Abbildung zeigt Baugröße 2)

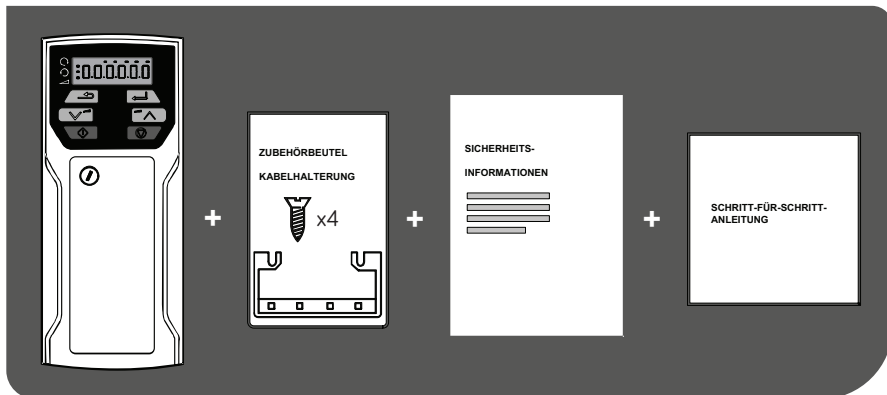


Legende

1. Typenschild (an der Seite des Umrichters)
 2. Identifikationsschild
 3. Relaisanschlüsse (Siehe Abbildung 6-3)
 4. Steueranschlüsse (Siehe Abbildung 6-3)
 5. Anschlussklemmen für den Bremswiderstand
 6. Schraube f. internes EMV-Filter*
 7. DC Bus +
 8. DC Bus -
 9. Motoranschlüsse (Siehe Abbildung 6-1)
 10. Netzanschlüsse (Siehe Abbildung 6-1)
 11. Erdungsanschlüsse (Siehe Abbildung 6-2)
 12. STO-Anschlüsse (Safe Torque Off) (Siehe Abbildung 6-4)**
 13. Kabelhalterung zum Aufschrauben auf die Erdungsanschlüsse (11).
- * Vor dem Entfernen der Schraube Abschnitt 4.7.2 des **Leistungsmodul-Installationshandbuchs** lesen.
** Nur Commander C300.

SCHRITT 1: Verpackungsinhalt prüfen

Kontrollieren Sie, dass alle Komponenten vorhanden sind und dass der Umrichter während des Transports nicht beschädigt wurde.



SCHRITT 2: Gerätetyp und Spannung prüfen

Den Gerätetyp finden Sie auf dem Identifikationsschild **1** oben am Umrichter. Überprüfen Sie, dass Gerätetyp und Spannungsbereich des Umrichters für die Anwendung geeignet sind.

1

Gerät	Elektrische Daten			
C 200 -	03	4	00073	A

Produktlinie: C 200 -

Baugröße: 03 4

Nennspannung:
 1 - 100 V (100 - 120 ±10 %)
 2 - 200 V (200 - 240 ±10 %)
 4 - 400 V (380 - 480 ±10 %)

Nennstrom:
 Nennstrom bei hoher Belastung x 10

Umrichterformat:
 A = AC-Eingang und AC-Ausgang

SCHRITT 3: Umrichter montieren

Der Umrichter sollte in einem Bereich mit einer Umgebungstemperatur von -20 °C bis 60 °C montiert werden.

Bei Umgebungstemperaturen > 40 °C kann eine Reduzierung der Ausgangsleistung erforderlich sein.

Siehe **Leistungsmodul-Installationshandbuch** (Abschnitt 5.1). Bei UL-Installationen ist die maximal zulässige Umgebungstemperatur 50 °C bei vorgegebener Leistungsreduzierung.

Umrichter können in Schaltschränken mit **0 mm** Abstand zwischen den Umrichtern montiert werden. Über und unter dem Umrichter ist ein Mindestabstand von **100 mm** erforderlich. Informationen zur Leistungsreduzierung bei verringerten Abständen finden Sie in Abschnitt 3.4 des **Leistungsmodul-Installationshandbuchs**.

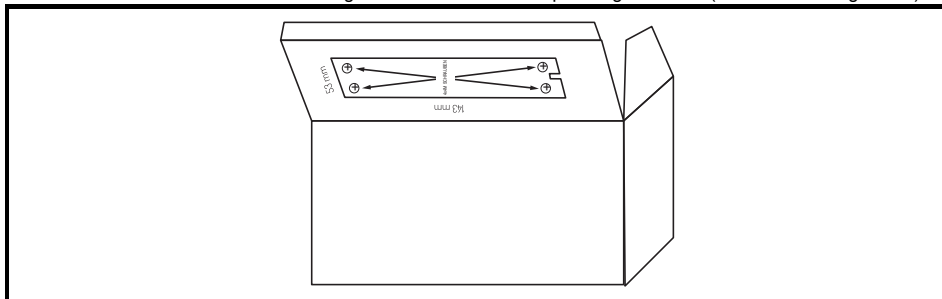
↑ 100 mm

↓ 100 mm

0 mm

Der Umrichter kann direkt an der Wand verschraubt oder an einer DIN-Hutschiene montiert werden (nur Baugröße 1 und 2). Wenn er an einer Schiene montiert werden soll, sichern Sie den Umrichter mit 2 Schrauben an der Rückwand.

Eine **Bohrschablone** für die Wandmontage ist in der Umrichterpackung enthalten (nachstehend abgebildet).



Alternativ finden Sie die Maße für die Montage sowie die Gesamtabmessungen in der nachstehenden Tabelle.

Baugröße	H		B		T	Ø	Gewicht
	Montage	Gesamt	Montage	Gesamt	Gesamt	Durchmesser	
1	143 mm	160 mm	53 mm	75 mm	130 mm	5 mm	0,75 kg
2	194 mm	205 mm	55 mm	75 mm	150 mm	5 mm	1,3 kg
3	215 mm	226 mm	70,7 mm	90 mm	160 mm	5 mm	1,5 kg
4	265 mm	277 mm	86 mm	115 mm	175 mm	6 mm	3,13 kg

SCHRITT 4: Versorgungs-/Motorkabel und Sicherungen oder Sicherungsautomaten auswählen

Die verwendeten Versorgungs-/Motorkabel und die Sicherungen bzw. Sicherungsautomaten sollten die in der nachstehenden Tabelle aufgeführten Nennwerte einhalten:



Die Nennspannung der Sicherungen und Sicherungsautomaten muss mindestens so hoch sein wie die maximale Versorgungsspannung des Systems. **Sicherungen:** Die Netzversorgung des Umrichters muss auf angemessene Weise vor Überlastung geschützt werden. Bei Nichtbeachtung besteht Brandgefahr.

HINWEIS

Leitungsquerschnitt der Erdverbindung: Entweder 10 mm² oder zwei Kabel mit dem gleichen Leitungsquerschnitt des Netzanschlusses.

Gerätetyp	Eingangsphasen	Sicherungen		Bemessungsdaten Sicherungsautomat**	Kabel			
		IEC-Klasse gG	UL Klasse CC J oder T [†]		IEC60364-5-52 mm ²		UL 508C AWG	
		A	A		Eingang	Ausgang	Eingang	Ausgang
01100017	1	10	15	15	1	1	16	16
01100024	1	16	15	15	1,5	1	14	16
02100042	1	20	20	15	2,5	1	12	16
02100056	1	25	25	15	4	1	10	16
01200017	1	6	6	15	1	1	16	16
01200024	1	6	6	15	1	1	16	16
01200033	1	10	15	15	1	1	16	16
01200042	1	16	15	15	1	1	16	16
02200024	1 / 3	6/6	6/6	15	1	1	16	16
02200033	1 / 3	10/10	10/10	15	1	1	16	16
02200042	1 / 3	16/10	15/10	15	1	1	16	16
02200056	1 / 3	20/16	20/15	15	2,5/1,5	1	12/14	16
02200075	1 / 3	20/16	20/15	15	2,5	1	12	16
03200100	1 / 3	25/20	25/20	25/20	4	1,5	10/12	14
04200133	1 / 3	25/20	25/20	25/20	4/2,5	2,5	10	12
04200176	3	25	25	25	4	2,5	10	12
02400013	3	6	6	15	1	1	16	16
02400018	3	6	6	15	1	1	16	16
02400023	3	6	6	15	1	1	16	16
02400032	3	6	6	15	1	1	16	16
02400041	3	10	6	15	1	1	16	16
03400056	3	10	15	15	1	1	14	16
03400073	3	16	15	15	1,5	1	12	16
03400094	3	16	15	25	2,5	1,5	12	14
04400135	3	20	20	20	2,5	2,5	10	12
04400170	3	25	25	25	4	2,5	10	12

* Diese Sicherungen sind flink.

** Bei UL-Installationen muss der Leistungsschalter unter der Kategoriekontrollnummer DIVQ / DIVQ7 gelistet sein, Nennspannung 600 VAC mit Kurzschlussfestigkeit > 10 kA. In anderen Ländern werden Leistungsschalter gemäß EN IEC 60947-2 mit einem Kurzschlussausschaltvermögen > 10 kA empfohlen.

HINWEIS

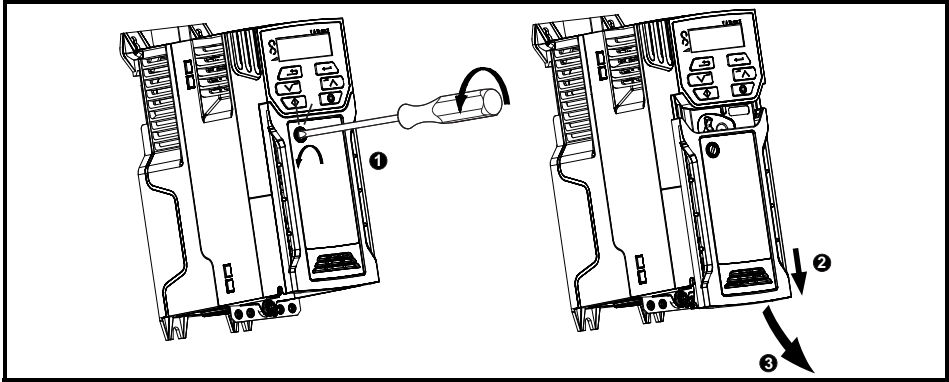
Das Produkt besitzt eine UL-Zulassung für den Einsatz in einem Stromkreis bis max. 100 kA Netzkurzschlussstrom bei Verwendung entsprechender Sicherungen.

HINWEIS

IEC-Kabelquerschnitte beziehen sich auf einen Kupferleiter, PVC-Isolierung, Installationsmethode B2 und eine Umgebungstemperatur von 40 °C. UL-Kabelquerschnitte beziehen sich auf einen Kupferleiter mit Isolierung bei 75 °C.

SCHRITT 5: Klemmenabdeckung abnehmen

1. Drehen Sie die Verriegelung der Klemmenabdeckung mit einem Schlitzschraubendreher um etwa 30° gegen den Uhrzeigersinn.
2. Schieben Sie die Klemmenabdeckung nach unten.
3. Entfernen Sie die Klemmenabdeckung in der dargestellten Richtung.



SCHRITT 6: Umrichter verkabeln

Leistungsanschlüsse

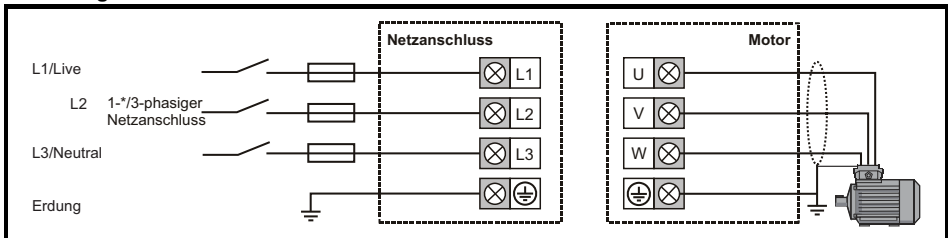
Strom-, Erdungs- und Steueranschlüsse sind mit den in der nachstehenden Tabelle aufgeführten empfohlenen Anzugsdrehmomenten festzuziehen:

Tabelle 6-1 Empfohlene Anzugsdrehmomente

Gerätebaugröße	Klemmenblock Beschreibung	Anzugsdrehmomente
Alle	Steueranschlussklemmen	0,2 Nm
	Relaisklemmen	0,5 Nm
1	Klemmenanschlüsse Leistung	0,5 Nm
2, 3, 4		1,4 Nm
Alle	Erdungsanschlüsse	1,5 Nm

Verwenden Sie bei der Anfertigung der Versorgungs- und Motoranschlüsse die in der Tabelle unter Schritt 4 aufgelisteten Kabel und Sicherungen bzw. Sicherungsautomaten. Bei Verwendung einer einphasigen Netzversorgung wird die Versorgung an L1 und L3 angeschlossen.

Abbildung 6-1 Netzanschlussklemmen



Erdungsanschlüsse

Die Erdung von Netz- und Motoranschluss wird durch die Erdungsschiene vorgenommen, die sich an der Unterseite des Umrichters befindet (siehe Abbildung 6-2).



Chemische Korrosion von Erdungsklemmen

Alle Erdungsklemmen müssen vor Korrosion geschützt werden. (z. B. verursacht durch Kondensation)



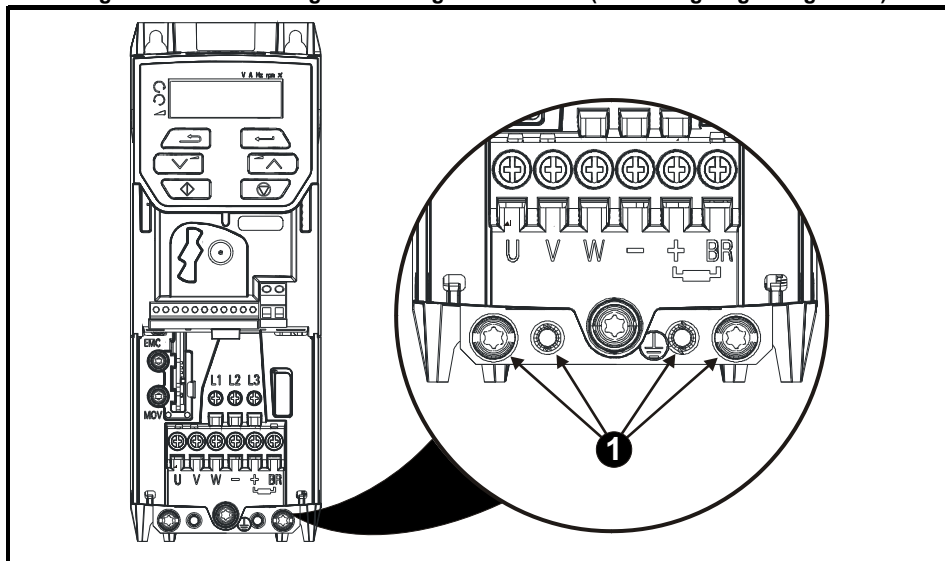
Der Widerstand der Erdungsleitung muss den örtlich geltenden Sicherheitsvorschriften entsprechen. Der Umrichter muss so geerdet werden, dass ein eventuell auftretender Fehlerstrom so lange abgeleitet wird, bis eine Schutzeinrichtung (Sicherung usw.) die Netzspannung abschaltet.

Die Erdungsanschlüsse müssen in regelmäßigen Abständen inspiziert und kontrolliert werden.

Minimaler Leitungsquerschnitt der Erdverbindung

Entweder 10 mm² oder zwei Kabel mit dem gleichen Leitungsquerschnitt des Netzanschlusses.

Abbildung 6-2 Erdverbindungen der Baugrößen 1 und 4 (Abbildung zeigt Baugröße 2)

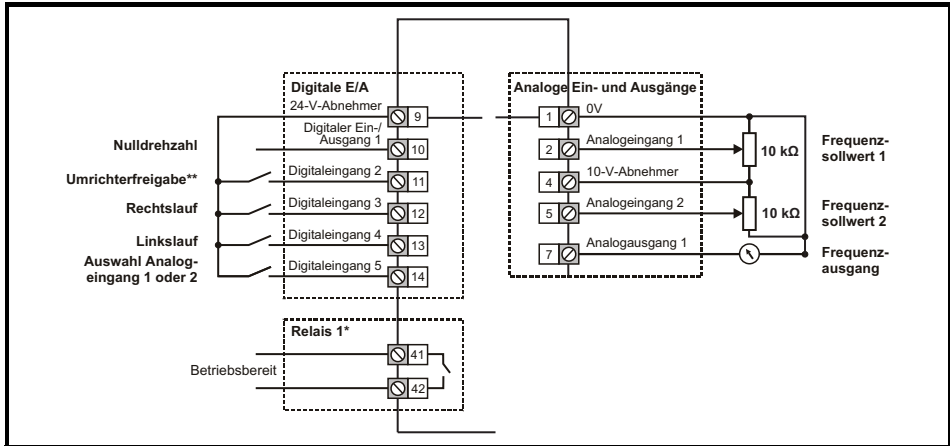


1: 4 x M4 Gewindebohrungen für die Erdungsschiene.

Steueranschlüsse

Die Steueranschlussklemmen sind standardmäßig für die nachstehend gezeigte Anordnung konfiguriert:

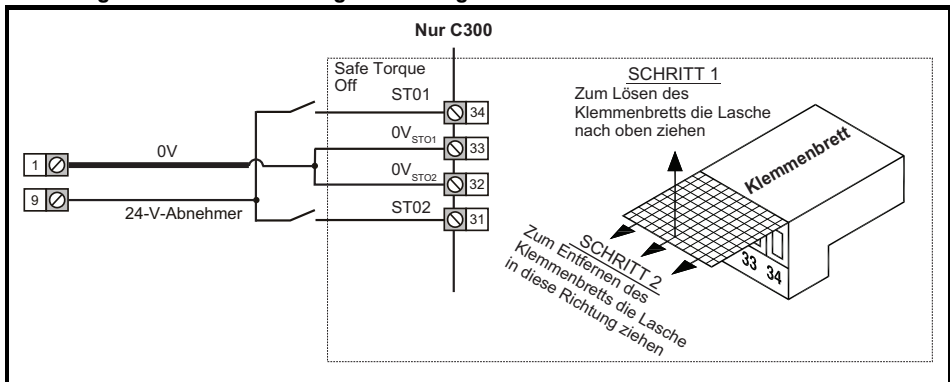
Abbildung 6-3 Commander C200/C300 Steuerklemmenbelegung



* 250 VAC max. (UL-Klasse 1).

** Commander C300 verwendet ‚Safe Torque Off‘, daher ist Anschlussklemme 11 beim Commander C300 nicht zugewiesen. Bei Verwendung eines Commander C300 beachten Sie bitte die nachstehenden STO-Verdrahtungsanweisungen:

Abbildung 6-4 STO-Verdrahtungsanweisungen Commander C300

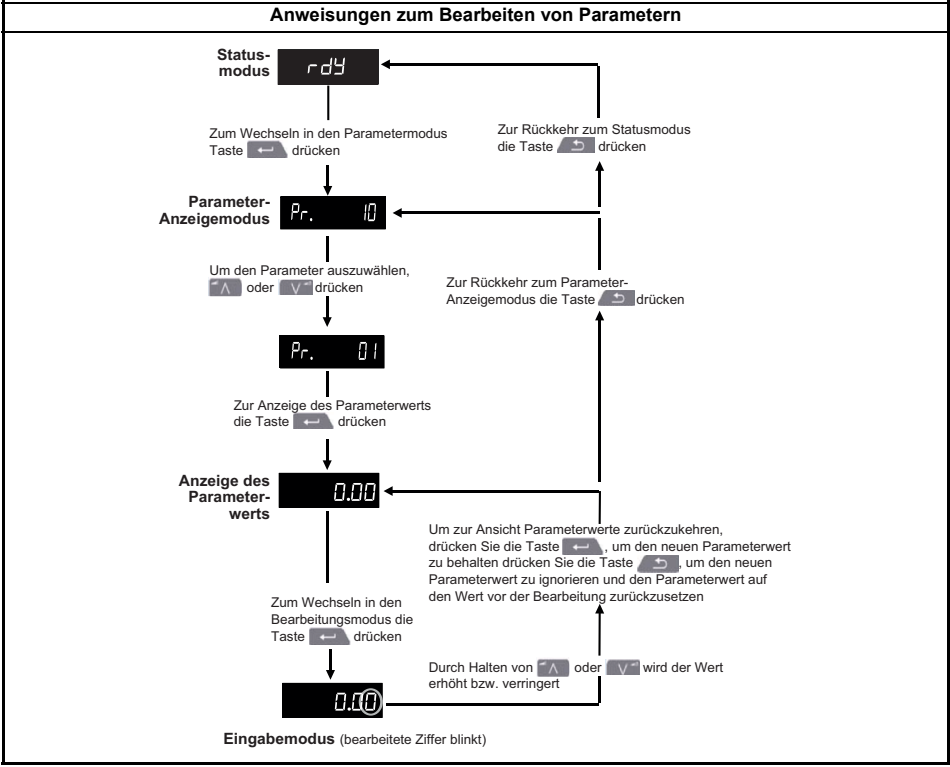
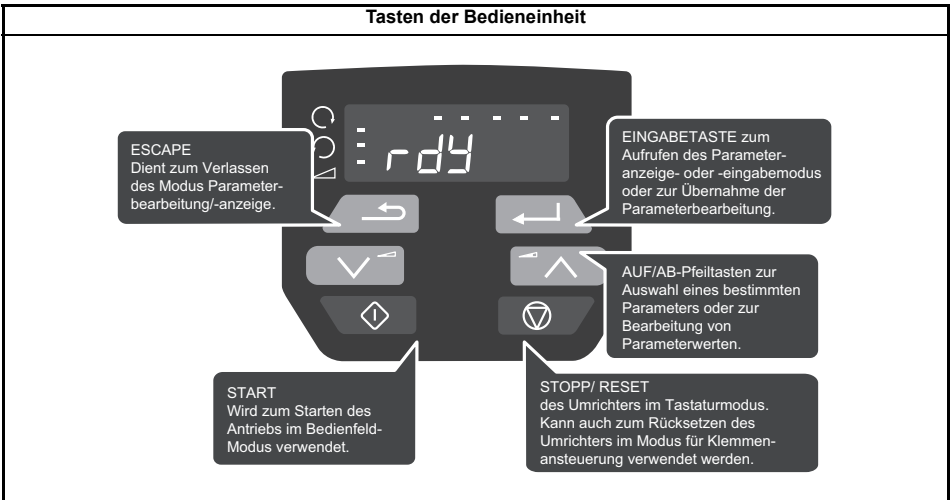


Bringen Sie nach Abschluss von Schritt 6 die Klemmenabdeckung wieder an (siehe Schritt 5).

Informationen und Schaltpläne für alternative Konfigurationen finden Sie in Abschnitt 4.4 der **Betriebsanleitung: Steuereinheit**.

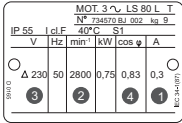




SCHRITT 7: Verwendung der Bedieneinheit

Das Display zeigt dem Benutzer Informationen zum Betriebszustand des Umrichters, Alarmen und Abschaltungs-codes an. Die Bedieneinheit bietet die Möglichkeit, Parameter zu ändern, den Umrichter zu starten und zu stoppen sowie den Umrichter zurückzusetzen.



SCHRITT 8: Motorbetrieb

Dieser Schritt enthält Anweisungen für die Konfiguration grundlegender Umrichterparameter, die Durchführung einer automatischen Optimierung (Autotune) und den Betrieb des Motors im Analogeingangsmodus oder im Tastaturmodus.

Maßnahme	Erläuterung
Einschalten	Sicherstellen, dass <ul style="list-style-type: none"> der Umrichter ‚inh‘ anzeigt (Freigabeklemme(n) offen)
Minimal- und Maximaldrehzahlen	Eingabe: <ul style="list-style-type: none"> Sollwertbegrenzung (Minimum) Pr 01 (Hz) Sollwertbegrenzung (Maximum) Pr 02 (Hz)
Beschleunigungs- und Verzögerungszeiten	Eingabe: <ul style="list-style-type: none"> Beschleunigungszeit Pr 03 (s) Verzögerungszeit Pr 04 (s)
Einzelheiten zum Motortypenschild	<ol style="list-style-type: none"> Motornennstrom in Pr 06 (A) Motornenn Drehzahl in Pr 07 (min⁻¹) Motornennspannung in Pr 08 (V) Motorleistungsfaktor (cos) in Pr 09 
Bereit zum Autotune	
Autotune	<p>Der Umrichter kann ein stationäres oder dynamisches Autotune ausführen. Vor Freigabe eines Autotune und vor Trennung von der Last zur Durchführung eines dynamischen Autotune muss der Motor zum Stillstand gekommen sein.</p> <p>So führen Sie ein Autotuning durch:</p> <ul style="list-style-type: none"> Stellen Sie Pr 10 auf L2 ein. Wechseln Sie zu Pr 38. Setzen Sie Pr 38 = 1 für stationäres Autotune oder Pr 38 = 2 für dynamisches Autotune. Setzen Sie die Umrichterfreigabe (+24 V an Klemme 11 bzw. Klemmen 31 und 34 beim Commander C300) anlegen). Am Umrichter wird ‚rdy‘ angezeigt. Geben Sie den Startbefehl (+24 V an Klemme 12 - Rechtslauf oder Klemme 13 - Linkslauf anlegen). Am unteren Display blinkt ‚tuning‘, während der Umrichter die automatische Abstimmung durchführt. Warten Sie, bis der Umrichter ‚inh‘ angezeigt und der Motor zum Stillstand kommt. Öffnen Sie das Freigabe- und das Startsignal vom Umrichter.
Bereit zum Starten (standardmäßiger Analogeingangsmodus)	
Lauf	Der Umrichter ist nun zum Starten des Motors bereit. Schließen Sie die Klemmen Freigabe (C200) oder Safe Torque Off (C300) und Rechtslauf oder Linkslauf.
Erhöhen und Verringern der Drehzahl	Durch Änderung des analogen Frequenzsollwerts wird die Drehzahl des Motors erhöht bzw. verringert.
Anhalten des Motors	Um den Motor mit der ausgewählten Verzögerungszeit anzuhalten, öffnen Sie die Anschlussklemmen für Rechtslauf oder Linkslauf. Durch Öffnen der Freigabeklemme bei laufendem Motor wird der Umrichterausgang sofort gesperrt und der Motor trudelt aus.
Bereit zum Starten (Tastaturmodus)	
Lauf	Der Umrichter ist nun zum Starten des Motors bereit. Setzen Sie Pr 05 auf ‚PAd‘. Schließen Sie Freigabe (C200) oder Safe Torque Off (C300). Drücken Sie die Start-Taste  .
Erhöhen und Verringern der Drehzahl	Drücken Sie die Auf- und Ab-Tasten   , um die Drehzahl zu erhöhen bzw. zu verringern.
Anhalten des Motors	Drücken Sie die Stopp/Reset-Taste  .

Zusätzliche Informationen

Fehlerdiagnose

Bei Erkennung eines Fehlers zeigt der Umrichter einen Fehlercode an. Zum Zuordnen und Beheben aller Fehlercodes können Sie ein Diagnose-Tool in Form einer App für die Plattformen Microsoft, Android und iOS über den jeweiligen App-Store auf Ihr Smartphone oder Tablet herunterladen. Suchen Sie nach **Control Techniques diagnostics tool**. Alternativ können Sie das „Diagnostic Tool (App)“ vom Control Techniques App Center herunterladen oder den Diagnose-Abschnitt in der **Betriebsanleitung: Steuereinheit** lesen, die von der Website von Control Techniques oder Leroy Somer heruntergeladen werden kann.

Statusanzeigen


Die nachstehende Tabelle zeigt die verschiedenen Statusanzeigen, die auf dem Display angezeigt werden können.

Tabelle 10-1 Statusanzeigen

Text-string	Beschreibung	Ausgangsstufe des Umrichters
inh	Der Umrichter ist gesperrt und kann nicht betrieben werden. Das Signal Umrichterfreigabe wird nicht auf die Klemme Umrichterfreigabe gelegt oder ist auf 0 gesetzt.	Deaktiviert
rdy	Der Umrichter kann gestartet werden. Die Umrichterfreigabe ist aktiviert, aber der Umrichter ist nicht aktiv, weil der endgültige Startbefehl nicht aktiviert ist.	Deaktiviert
StoP	Der Umrichter ist gestoppt/wird auf Nulldrehzahl gehalten.	Freigegeben
StoSS	Es wurde ein Verlust der Stromversorgung erfasst.	Freigegeben
dc inJ	Die Gleichstrombremsung ist aktiv.	Freigegeben
Er	Eine Fehlerabschaltung des Umrichters wurde ausgelöst, so dass der Motor nicht mehr vom Umrichter gesteuert wird. Der Fehlercode wird auf dem Display angezeigt.	Deaktiviert
UU	Der Umrichter befindet sich im Status Unterspannung.	Deaktiviert

Rücksetzen des Umrichters auf Standardwerte

Der Umrichter kann wie folgt auf die ursprünglichen Werkseinstellungen zurückgesetzt werden:

- Stellen Sie sicher, dass die Umrichterfreigabe nicht gesetzt ist, d. h. Klemme 11 (bzw. Klemmen 31 und 34 beim Commander C300) offen ist (sind).
- Wählen Sie Def.50 (50-Hz-Einstellungen) oder Def.60 (60-Hz-Einstellungen) in Pr **00**.
- Drücken Sie die rote RESET-Taste ().

Basisparameterbereich und Standardeinstellung

Informationen zu anderen Parametern als Pr **00** bis Pr **10** finden Sie in der Kurzanleitung.

Parameter	Bereich (⌘)	Standardwerte (⇔)
01 Sollwertbegrenzung (Minimum)	0,00 bis Pr 02 Hz	0,00 Hz
02 Max. Drehzahl	0,00 bis 550,00 Hz	Def.50: 50,00 Hz Def.60: 60,00 Hz
03 Beschleunigungszeit 1	0,0 bis 32000,0 s	5,0 s
04 Verzögerungszeit 1	0,0 bis 32000,0 s	10,0 s
05 Umrichterkonfiguration	AV (0), AI (1), AV.Pr (2), AI.Pr (3), PrESET (4), PAd (5), PAd.rEF (6), E.Pot (7), torquE (8), Pid (9) Weitere Informationen können der Betriebsanleitung: Steuereinheit entnommen werden.	AV (0)
06 Motornennstrom	0,00 bis Umrichternennstrom	Maximaler Nennstrom bei hoher Überlast (Heavy Duty A)
07 Motornenddrehzahl	0,0 bis 33000,0 min ⁻¹	Def.50: 1500,0 min ⁻¹ Def.60: 1800,0 min ⁻¹
08 Motornennspannung	0 bis 240 V oder 0 bis 480 V	110-V-Umrichter: 230 V 200-V-Umrichter: 230 V 400-V-Umrichter Def.50: 400 V 400-V-Umrichter Def.60: 460 V
09 Motorleistungsfaktor	0,00 bis 1,00	0,85
10 Benutzersicherheitsstatus	Weitere Informationen können der Betriebsanleitung: Steuereinheit entnommen werden.	LEVEL.1

Anhang A Hinweise zur UL-Konformität

Dieser Anhang enthält zusätzliche Informationen, die gemäß UL dem Produkt beiliegen müssen.

A.1 UL-Registriernummer

Alle Modelle sind UL-gelistet und entsprechen den Anforderungen sowohl Kanadas als auch der USA. Die UL-Registriernummer lautet: NMMS/7.E171230.

Produkte mit STO-Funktion (Safe Torque Off) wurden von UL untersucht. Die UL-Registriernummer lautet: FSPC.E171230.

A.2 Optionsmodule, Kits und Zubehör

Alle Optionsmodule, Steuersockel und Installationskits für diese Umrichter sind UL-gelistet.

A.3 Schutzart

Alle Modelle entsprechen ab Werk dem Gerätetyp-Typ Open.

Das Umrichtergehäuse ist nicht als brandsicher klassifiziert. Ein separater Brandschutzschaltschrank ist vorzusehen. Es kann ein Schaltschrank UL/NEMA Typ 12 verwendet werden.

Bei Montage eines Kabelanschlusskastens erfüllen die Umrichter die Anforderungen für UL Typ 1. Gehäuse des Typs 1 sind für den Innenbereich vorgesehen, hauptsächlich zum Schutz gegen begrenzte Mengen an herabfallendem Schmutz.

Bei Durchsteckmontage in einem Schaltschrank vom Typ 12 unter Verwendung des Dichtungssatzes und des High-IP-Einsatzes (sofern angeboten) erfüllen die Umrichter die Anforderungen für UL Typ 12.

Bei Durchsteckmontage sind die Umrichter für Umgebungstemperaturen bis 40 °C geeignet.

Externe Bedieneinheiten entsprechen dem UL-Typ 12, wenn sie mit den mitgelieferten Dichtungen und Befestigungskits montiert werden.

Bei Montage in einem Schaltschrank des Typs 1 oder 12 können die Umrichter in einem Raum mit klimatisierter Luft betrieben werden.

A.4 Montage

Die Umrichter können mit den entsprechenden Befestigungselementen in Rückwandmontage montiert werden. Die Umrichter können einzeln oder mit geeignetem Zwischenraum nebeneinander montiert werden (Rackmontage).

A.5 Umgebung

Umrichter müssen in einer Umgebung mit der Verschmutzungsstufe 2 oder besser aufgestellt werden (trocken, nur nichtleitfähige Verschmutzung).

Die Umrichter sind für einen Einsatz bei Temperaturen bis 40 °C ausgelegt. Darüber hinaus wurden die Umrichter mit gedrosselter Ausgangsleistung bei Umgebungstemperaturen von 50 °C und 55 °C getestet.

A.6 Elektrische Installation

ÜBERSPANNUNGSKATEGORIE

OVC III

VERSORGUNG

Die Umrichter sind für den Betrieb in einer Schaltung geeignet, die nicht mehr als 100.000 RMS symmetrische Ampere bei einer maximalen Spannung von 600 VAC leistet.

KLEMMEN-ANZUGSMOMENT

Klemmen müssen mit dem in den Installationsanweisungen angegebenen Anzugsmoment angezogen werden.

VERDRAHTUNG DER KLEMMEN

Die Umrichter müssen mit Kabeln verdrahtet werden, die für eine Betriebstemperatur von 75 °C ausgelegt sind (ausschließlich Kupferkabel).

Wo möglich müssen für alle Feldverkabelungsanschlüsse UL-gelistete Closed-Loop-Steckverbinder in ausreichender Größe verwendet werden.

ANWEISUNGEN FÜR DIE ERDUNG

Für alle Erdungsanschlüsse müssen UL-gelistete Closed-Loop-Steckverbinder in ausreichender Größe verwendet werden.

SCHUTZ DER ABZWEIGKREISE

Die für den Schutz der Abzweigkreise erforderlichen Sicherungen und Leistungsschalter sind in den Installationsanweisungen aufgeführt.

AUSLÖSUNG DER SCHUTZVORRICHTUNG IM ABZWEIG

Das Auslösen der Schutzvorrichtung im Abzweig kann ein Hinweis auf eine Fehlerabschaltung sein. Um die Gefahr eines Brandes oder elektrischen Schlags zu verringern, muss der Umrichter untersucht und im Schadensfall ersetzt werden. Wenn das stromführende Element eines Überlastrelais durchbrennt, muss das Überlastrelais komplett ersetzt werden.

Der integrierte elektronische Schutz gegen Kurzschluss bietet keinen Schutz für den Abzweig. Der Schutz für die Abzweige muss in Übereinstimmung mit dem National Electrical Code (NEC), dem Canadian Electrical Code und allen in dem jeweiligen Land geltenden Bestimmungen ausgestattet werden.

DYNAMISCHES BREMSSEN

Commander C200/C300 Umrichter der Baugröße 1 bis 4 wurden für den Einsatz in Anwendungen mit dynamischer Bremse getestet. Andere Umrichtermodelle wurden nicht für den Einsatz in Anwendungen mit dynamischer Bremse getestet.

A.7 Motorüberlastschutz und Archivierung des thermischen Speichers

Die Geräte enthalten eine elektronische Schutzvorrichtung, die vor einer Überlast des Motors schützt. Die Schutzniveaus sind als Prozentwert der Volllast-Stromstärke ausgedrückt. Weitere Informationen können der *Betriebsanleitung: Steuereinheit* entnommen werden.

Damit der Motorschutz ordnungsgemäß arbeitet, muss der Motornennstrom in **Pr 06** oder **Pr 05.007** eingegeben werden.

Der Überlastschutz kann auch unterhalb von 150 % eingestellt werden. Weitere Informationen können der *Betriebsanleitung: Steuereinheit* entnommen werden.

Alle Modelle sind mit einer Archivierung des thermischen Speichers ausgestattet.

A.8 Externe Stromversorgung Klasse 2

Die für den Betrieb des 24-V-Steuerkreises verwendete externe Stromversorgung sollte wie folgt gekennzeichnet sein: „UL Class 2“. Die Versorgungsspannung darf 24 VDC nicht überschreiten.

Italiano

Introduzione

I modelli di Commander C200 e C300 formano una gamma semplice e flessibile di azionamenti con potenze da 0,25 kW a 132 kW in 9 taglie e tre range di tensione di ingresso (100 V, 200 V, e 400 V).

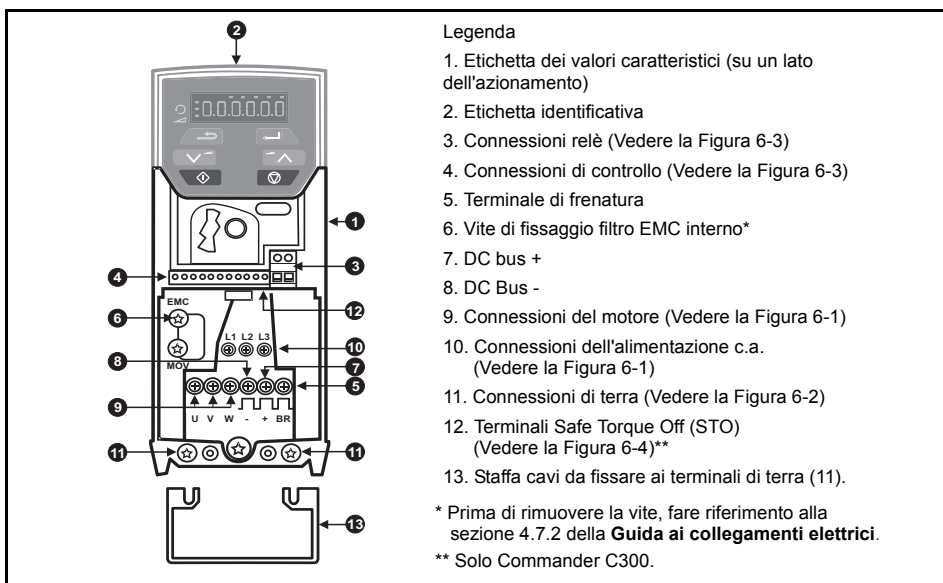
Questa Guida dettagliata fornisce semplici istruzioni passo per passo riguardanti l'installazione dell'azionamento, la scelta dei fusibili e dei cavi, i collegamenti elettrici, la programmazione dell'azionamento e il funzionamento del motore nella modalità ingresso analogico o nella modalità tastiera nelle taglie da 1 a 4.

Le informazioni seguenti possono essere scaricate all'indirizzo 'www.drive-setup.com':

- Guida introduttiva al Commander C200/C300
- Guida dell'utente al controllo del Commander C200/C300
- Guide ai collegamenti elettrici del Commander C200/C300
- Guida di riferimento ai parametri del Commander C200/C300
- Video di configurazione del Commander C200/C300

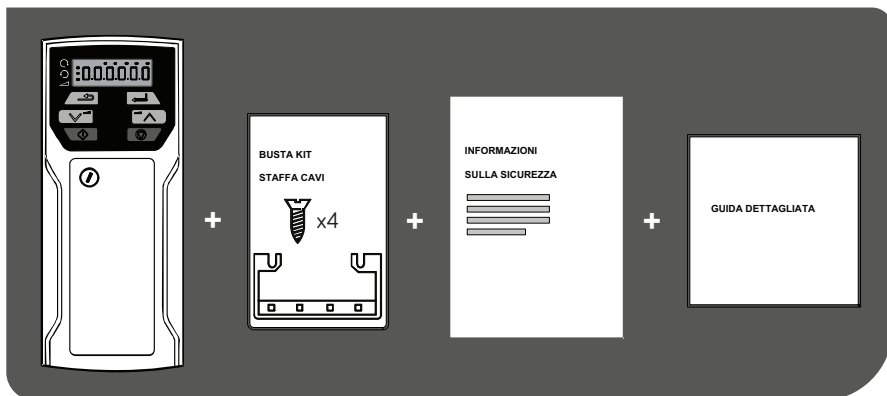
Parti costitutive dell'azionamento

Figura 1-1 Diagramma dei componenti (taglia 2 nell'immagine)



FASE 1: Verificare il contenuto dell'imballo

Verificare di avere a disposizione tutti i componenti e che l'azionamento non sia stato danneggiato durante il trasporto.



FASE 2: Controllare il modello e la tensione

Il numero di modello è riportato sull'etichetta identificativa **1** posta nella parte superiore dell'azionamento. Assicurarsi che il modello e il range di tensione dell'azionamento siano idonei per l'impianto.

The diagram shows the identification label on the actuator and its corresponding technical specifications. The label is divided into two main sections: 'Prodotto' and 'Specifiche elettriche'.

Prodotto	Specifiche elettriche			
C 200 -	03	4	00073	A

Linea di prodotti: C 200 -

Taglia: 03 4

Tensione nominale:
 1 - 100 V (100 - 120 ±10%)
 2 - 200 V (200 - 240 ±10%)
 4 - 400 V (380 - 480 ±10%)

Corrente nominale:
 Valore nominale per il servizio gravoso x 10

Tipo di azionamento:
 A - AC in AC out

FASE 3: Installare l'azionamento

L'azionamento deve essere installato in una posizione con temperatura ambiente compresa fra - 20 °C e 60 °C.

A temperature ambiente > 40 °C, potrebbe rendersi necessario un declassamento della corrente di uscita.

Fare riferimento alla **Guida ai collegamenti elettrici** (sezione 5.1). Per gli impianti classificati UL la temperatura ambiente massima consentita è 50 °C, con il declassamento specificato.

Gli azionamenti possono essere installati a pannello, lasciando uno spazio di **0 mm** fra di essi. Sopra e sotto l'azionamento deve essere previsto uno spazio libero minimo di **100 mm**. Per informazioni sul declassamento in corrente per distanze libere ridotte, fare riferimento alla sezione 3.4 della **Guida ai collegamenti elettrici**.

The diagram shows the installation requirements for the actuator, including spacing and mounting options.

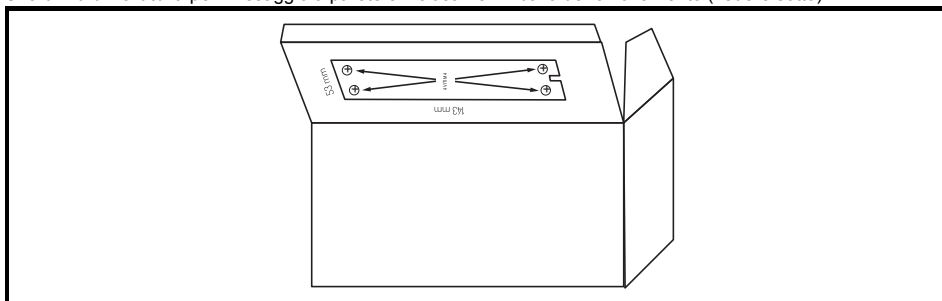
↑ 100 mm

↓ 100 mm

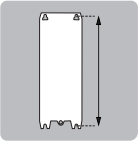
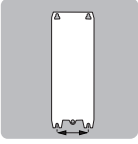
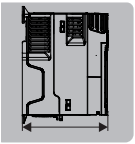

0 mm

L'azionamento può essere fissato a una piastra di supporto mediante viti, oppure montato su una guida DIN (solo taglie 1 e 2). Se si sceglie di montarlo su una guida, fissarlo alla piastra di supporto con 2 viti.

Una **dima di foratura** per il fissaggio a parete è inclusa nell'imballo dell'azionamento (vedere sotto).



In alternativa, fare riferimento alla tabella di seguito per le dimensioni complessive e di installazione.

Taglia							Peso
	Montaggio	Larghezza	Montaggio	Larghezza	Larghezza	Diametro	
1	143 mm	160 mm	53 mm	75 mm	130 mm	5 mm	0,75 kg
2	194 mm	205 mm	55 mm	75 mm	150 mm	5 mm	1,3 kg
3	215 mm	226 mm	70,7 mm	90 mm	160 mm	5 mm	1,5 kg
4	265 mm	277 mm	86 mm	115 mm	175 mm	6 mm	3,13 kg

FASE 4: Selezionare i cavi di alimentazione / del motore e i fusibili o gli MCB

I cavi di alimentazione / del motore e i fusibili o gli interruttori MCB utilizzati devono essere della dimensione/taglia indicata nella tabella seguente:



La tensione nominale dei fusibili e degli MCB deve essere maggiore o uguale alla tensione massima di alimentazione del sistema. **Fusibili:** L'alimentazione in c.a. all'azionamento deve essere adeguatamente protetta contro i sovraccarichi. La mancata osservanza di tali requisiti causerà un rischio di incendio.

NOTA

Dimensioni dei conduttori di terra: - Un conduttore di 10 mm² o due conduttori della stessa sezione di quelli della fase di ingresso.

Modello	Fasi di ingresso	Fusibili		Corrente nominale MCB**	Cavi			
		IEC classe gG	UL Classe CC, J o T [†]		IEC60364-5-52 mm ²		UL 508C AWG	
					A	A	Ingresso	Uscita
01100017	1	10	15	15	1	1	16	16
01100024	1	16	15	15	1,5	1	14	16
02100042	1	20	20	15	2,5	1	12	16
02100056	1	25	25	15	4	1	10	16
01200017	1	6	6	15	1	1	16	16
01200024	1	6	6	15	1	1	16	16
01200033	1	10	15	15	1	1	16	16
01200042	1	16	15	15	1	1	16	16
02200024	1 / 3	6/6	6/6	15	1	1	16	16
02200033	1 / 3	10/10	10/10	15	1	1	16	16
02200042	1 / 3	16/10	15/10	15	1	1	16	16
02200056	1 / 3	20/16	20/15	15	2,5/1,5	1	12/14	16
02200075	1 / 3	20/16	20/15	15	2,5	1	12	16
03200100	1 / 3	25/20	25/20	25/20	4	1,5	10/12	14
04200133	1 / 3	25/20	25/20	25/20	4/2,5	2,5	10	12
04200176	3	25	25	25	4	2,5	10	12
02400013	3	6	6	15	1	1	16	16
02400018	3	6	6	15	1	1	16	16
02400023	3	6	6	15	1	1	16	16
02400032	3	6	6	15	1	1	16	16
02400041	3	10	6	15	1	1	16	16
03400056	3	10	15	15	1	1	14	16
03400073	3	16	15	15	1,5	1	12	16
03400094	3	16	15	25	2,5	1,5	12	14
04400135	3	20	20	20	2,5	2,5	10	12
04400170	3	25	25	25	4	2,5	10	12

* Questi sono fusibili a intervento rapido.

** Per gli impianti certificati UL, l'interruttore deve essere classificato con il codice categoria DIVQ / DIVQ7, avere una tensione nominale di 600 V c.a. con un valore nominale di cortocircuito > 10 kA. In altri paesi si consigliano interruttori conformi alla EN IEC 60947-2, con una potenza di interruzione del cortocircuito > 10 kA

NOTA

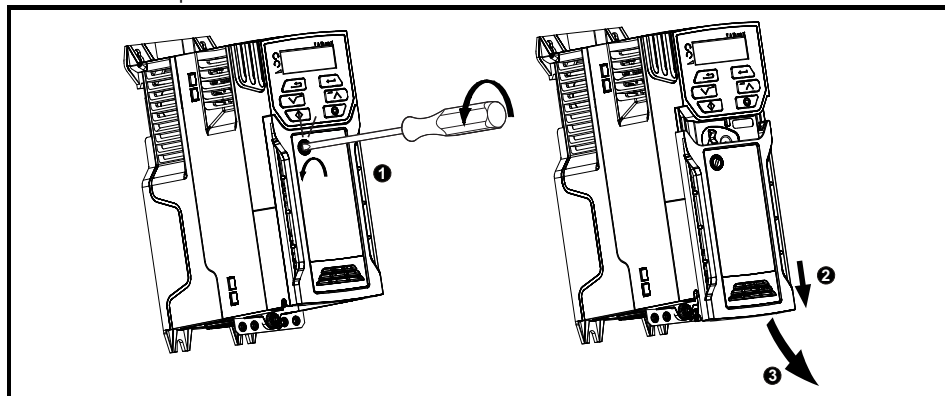
Il prodotto è certificato UL e idoneo per utilizzo in circuiti con entità massima della corrente simmetrica di guasto di alimentazione fino a 100 kA, se protetto da fusibili.

NOTA

Le dimensioni dei cavi IEC presuppongono un conduttore in rame, isolamento in PVC, metodo di installazione B2 e una temperatura ambiente di 40 °C. Le dimensioni dei cavi UL presuppongono un conduttore in rame con un isolamento classificato per una temperatura di 75 °C.

FASE 5: Rimuovere la copertura dei terminali

1. Servendosi di un cacciavite a taglio, ruotare la clip di fissaggio della copertura dei terminali in senso antiorario di circa 30°.
2. Fare scorrere la copertura dei terminali verso il basso.
3. Rimuovere la copertura dei terminali nella direzione mostrata.



FASE 6: Cablare l'azionamento

Connessioni di potenza

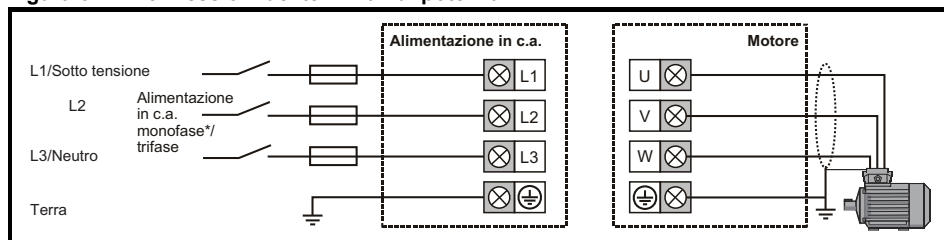
Quando si esegue il cablaggio dell'azionamento, i terminali di potenza, terra e controllo devono essere serrate ai valori di coppia raccomandati indicati nella tabella di seguito:

Tabella 6-1 Coppie di serraggio raccomandate

Taglia modello	Descrizione morsetteria	Impostazioni della coppia di serraggio
Tutti	Terminali di controllo	0,2 N m
	Terminali dei relè	0,5 N m
1	Terminali di potenza	0,5 N m
2, 3, 4		1,4 N m
Tutti	Terminali di terra	1,5 N m

Collegare i terminali di alimentazione e del motore utilizzando i cavi e i fusibili o gli MCB indicati nella tabella riportata nella Fase 4. Quando si utilizza un'alimentazione monofase, la si deve collegare a L1 e a L3.

Figura 6-1 Connessioni dei terminali di potenza



Connessioni di messa a terra

I collegamenti di terra del motore e di alimentazione sono realizzati mediante la sbarra di terra situata nella parte inferiore dell'azionamento, come mostrato nella Figura 6-2.



Corrosione elettrochimica dei terminali di terra

Assicurarsi che i terminali di terra siano protetti contro la corrosione che potrebbe essere causata dalla condensa.



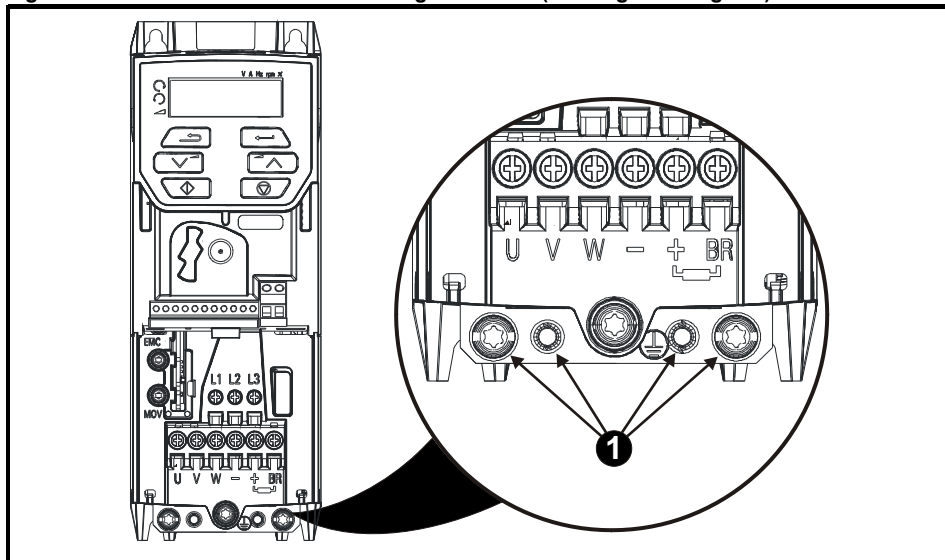
L'impedenza dell'anello di terra deve essere conforme ai requisiti delle norme locali sulla sicurezza. L'azionamento deve essere messo a terra mediante un collegamento in grado di sostenere un'eventuale corrente di guasto finché il dispositivo di protezione (fusibile, ecc.) non scollega l'alimentazione in C.A.

I terminali di messa a terra devono essere ispezionati e provati a intervalli regolari e appropriati.

Dim. minime conduttori di terra

Un conduttore di 10 mm² o due conduttori della stessa sezione di quello della fase di ingresso.

Figura 6-2 Connessioni di terra delle taglie da 1 a 4 (nella figura la taglia 2)

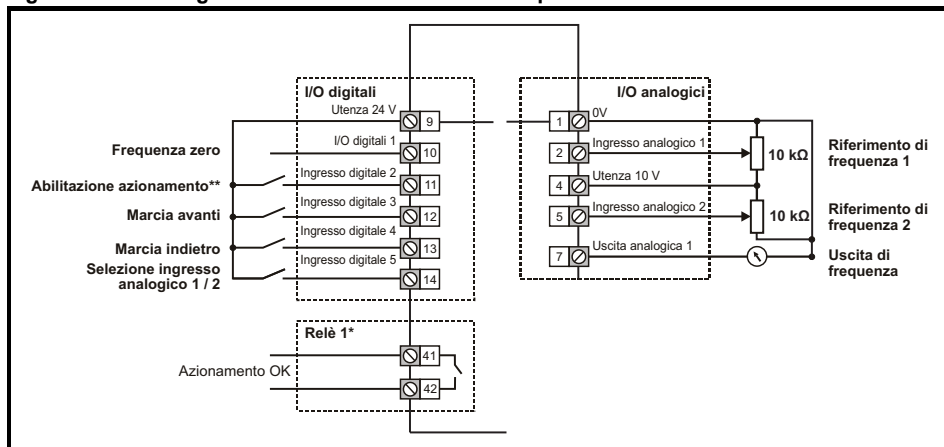


1: 4 x fori filettati M4 per la sbarra di messa a terra.

Connessioni di controllo

I terminali di controllo sono configurati per default per la configurazione illustrata di seguito:

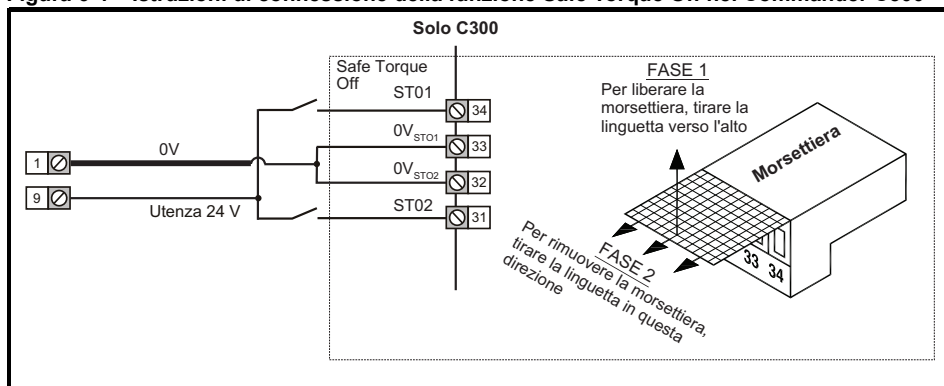
Figura 6-3 Collegamenti dei terminali di controllo per Commander C200/C300



* 250 V c.a. max. (UL classe 1).

** Commander C300 utilizza la funzione 'Safe Torque Off', quindi su questa unità il terminale 11 non è assegnato. Quando si impiega un Commander C300, fare riferimento alle istruzioni sul cablaggio della funzione 'Safe Torque Off' riportate di seguito:

Figura 6-4 Istruzioni di connessione della funzione Safe Torque Off nel Commander C300



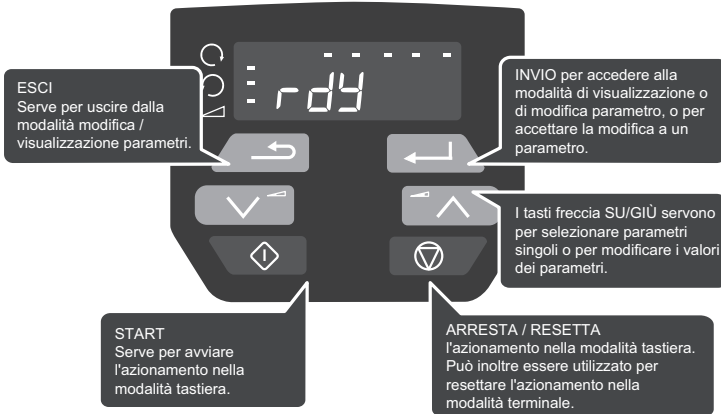
Una volta completata la fase 6, reinstallare la copertura dei terminali (vedere la fase 5).

Per ulteriori informazioni e per gli schemi elettrici delle configurazioni alternative, fare riferimento alla sezione 4.4 della **Guida dell'utente al controllo**.

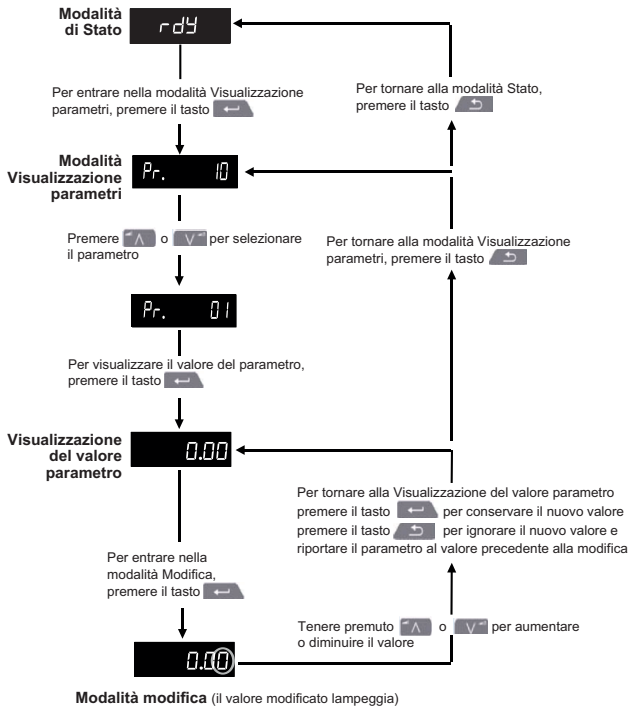
FASE 7: Utilizzare il tastierino

Il display fornisce all'utente informazioni sullo stato operativo dell'azionamento, sugli allarmi e sui codici di allarme. Il tastierino consente di modificare i parametri, di arrestare e di avviare l'azionamento e di resettarlo.

Identificativo della tastiera



Istruzioni per modificare i parametri



FASE 8: Avviare il motore

Questa fase fornisce le istruzioni riguardanti la configurazione dei parametri base dell'azionamento, l'esecuzione di un'autotaratura e il funzionamento del motore in modalità ingresso analogico o in modalità tastiera.

Azione	Dettagli
Accensione	Assicurarsi che: <ul style="list-style-type: none"> Sul display dell'azionamento sia visualizzato: inh (terminale/i abilitazione è/sono aperto/i)
Velocità minima e massima	Immettere: <ul style="list-style-type: none"> Velocità minima Pr 01 (Hz) Velocità massima Pr 02 (Hz)
Tempi di accelerazione e decelerazione	Immettere: <ul style="list-style-type: none"> Tempo di accelerazione Pr 03 (s) Tempo di decelerazione Pr 04 (s)
Dettagli di targa del motore	<ol style="list-style-type: none"> Corrente nominale del motore nel Pr 06 (A) Velocità nominale del motore nel Pr 07 (giri/min⁻¹) Tensione nominale del motore nel Pr 08 (Volt) Fattore di potenza nominale del motore (Cos) nel Pr 09 
Azionamento pronto per l'autotaratura	
Autotaratura	<p>L'azionamento è in grado di eseguire un'autotaratura statica o con rotazione dell'albero. Prima che un'autotaratura sia abilitata, il motore deve essere fermo e scollegato dal carico per autotaratura con rotazione dell'albero.</p> <p>Per eseguire un'autotaratura:</p> <ul style="list-style-type: none"> Impostare il Pr 10 su L2. Andare al Pr 38. Impostare il Pr 38 = 1 per un'autotaratura statica, oppure Pr 38 = 2 per un'autotaratura con rotazione dell'albero Chiudere il terminale di Abilitazione azionamento (applicare +24 V al terminale 11 o ai terminali 31 e 34 sul Commander C300). L'azionamento visualizza così il messaggio 'rdy'. Dare il comando di marcia (applicare +24 V al terminale 12 - Marcia avanti o al terminale 13 - Marcia indietro). Durante l'esecuzione dell'autotaratura da parte dell'azionamento, sul display lampeggia in successione il messaggio 'tuning' (taratura). Attendere che l'azionamento visualizzi 'inh' (Inibizione) e che il motore si fermi completamente. Togliere il segnale di abilitazione e di marcia dall'azionamento.
Azionamento pronto per essere avviato (modalità Ingresso analogico del terminale predefinita)	
Marcia	A questo punto, l'azionamento è pronto per avviare il motore. Chiudere i terminali di abilitazione (C200) o di Safe Torque Off (C300) e di Marcia avanti o di Marcia indietro.
Aumento e diminuzione della velocità	Cambiando il riferimento di frequenza analogica selezionato si aumenta o si diminuisce la velocità del motore.
In arresto	Per arrestare il motore applicando il tempo di decelerazione selezionato, aprire il terminale di marcia avanti o quello di marcia indietro. Se il terminale di abilitazione viene aperto durante la rotazione del motore, l'uscita dell'azionamento viene immediatamente disabilitata e il motore si arresta per inerzia.
Azionamento pronto per essere avviato (modalità Tastiera)	
Marcia	A questo punto, l'azionamento è pronto per avviare il motore. Impostare il Pr 05 su 'PAD'. Chiudere terminale di abilitazione (C200) o quello della funzione Safe Torque Off (C300). Premere il tasto Start  .
Aumento e diminuzione della velocità	Per aumentare e diminuire la velocità, premere i tasti freccia su e giù   .
In arresto	Premere il tasto Stop/Reset  .

Ulteriori informazioni

Analisi e risoluzione dei problemi

Quando l'azionamento rileva un'anomalia, visualizza un codice di errore. Per localizzare e risolvere tutti i codici di errore, dalla piattaforma Microsoft, Android e iOS si può scaricare su smartphone / tablet uno 'Strumento di diagnosi (app)' tramite l' 'App' store, cercare lo '**Strumento di diagnosi Control Techniques nell'app store**'. In alternativa, scaricare lo 'Strumento di diagnosi (App)' dall' 'App Center' di Control Techniques, oppure consultare la sezione Funzioni diagnostiche nella **Guida dell'utente al controllo** scaricabile dal sito di Control Techniques o di Leroy Somer.

Indicatori di stato


Nella tabella di seguito sono riportati i vari indicatori di stato disponibili sul display.

Tabella 10-1 Indicazioni di stato

Stringa	Descrizione	Stadio di uscita azionamento
inh	L'azionamento è inibito e non può essere avviato. Il segnale di Abilitazione azionamento non è applicato al terminale di abilitazione azionamento, oppure è impostato a 0.	Disabilitato
rdy	L'azionamento è pronto per essere avviato. L'abilitazione azionamento è attiva, ma l'inverter dell'azionamento non è attivo, perché la marcia finale dell'azionamento non è attiva.	Disabilitato
StoP	L'azionamento è stato arrestato / sta mantenendo la condizione di velocità zero.	Abilitato
SLoss	È stata rilevata una condizione di perdita alimentazione	Abilitato
dc inJ	L'azionamento sta applicando corrente di iniezione di frenatura in c.c.	Abilitato
Er	L'azionamento è andato in allarme e non sta più controllando il motore. Il codice di allarme viene visualizzato sul display.	Disabilitato
UU	L'azionamento è nello stato di allarme per sottotensione.	Disabilitato

Ripristino dei valori predefiniti dell'azionamento

L'azionamento può essere riportato alla configurazione predefinita in fabbrica seguendo la procedura seguente:

- Assicurarsi che l'azionamento non sia abilitato, cioè che il terminale 11 (o i terminali 31 e 34 sul Commander C300) sia aperto.
- Selezionare 'Def.50 (impostazioni a 50 Hz) o Def.60 (impostazioni a 60 Hz)' nel **Pr 00**.
- Premere il tasto rosso di reset .

Range e valori predefiniti dei parametri base

Per informazioni sui parametri dopo il **Pr 00** fino al **Pr 10**, consultare la Guida introduttiva.

Parametro	Range (↕)	Predefinito (⇒)
01 Velocità minima	da 0,00 a Pr 02 Hz	0,00 Hz
02 Velocità massima	da 0,00 a 550,00 Hz	Def.50: 50,00 Hz Def.60: 60,00 Hz
03 Tempo di accelerazione 1	da 0,0 a 32000,0 s	5,0 s
04 Tempo di decelerazione 1	da 0,0 a 32000,0 s	10,0 s
05 Configurazione dell'azionamento	AV (0), AI (1), AV.Pr (2), AI.Pr (3), PrESet (4), PAD (5), PAD.rEF (6), E.Pot (7), torquE (8), Pid (9) Per maggiori informazioni, consultare la Guida dell'utente al controllo	AV (0)
06 Corrente nominale motore	da 0.00 a corrente nominale azionamento in amp	Corrente nominale massima in servizio Corrente nominale
07 Velocità nominale motore	Da 0,0 a 33000,0 giri/min	Def.50: 1500,0 giri/min Def.60: 1800,0 giri/min
08 Tensione nominale motore	da 0 a 240 V o da 0 a 480 V	Azionamento a 110V: 230 V Azionamento a 200V: 230 V Azionamento a 400 V Def.50: 400 V Azionamento a 400 V Def.60: 460 V
09 Fattore di potenza nominale del motore	Da 0,00 a 1,00	0,85
10 Stato sicurezza utente	Per maggiori informazioni, consultare la Guida dell'utente al controllo	LEVEL.1

Appendice A Informazioni sulla certificazione UL

Questa appendice contiene le informazioni aggiuntive che UL prevede siano fornite con il prodotto.

A.1 Numero di registrazione UL

Tutti i modelli sono provvisti di certificazione UL in conformità ai requisiti sia del Canada, sia degli USA. Il numero di registrazione UL è: NMMS/7.E171230.

I prodotti dotati della funzione Safe Torque Off sono stati esaminati da UL. Il numero di registrazione UL è: FSPC.E171230.

A.2 Moduli, kit e accessori opzionali

I moduli opzionali, le unità di controllo, i kit di installazione e gli altri accessori utilizzabili con questi azionamenti sono certificati UL.

A.3 Classificazione d'esercizio del quadro

Nella configurazione di consegna, tutti i modelli hanno la certificazione UL di Tipo aperto.

Il quadro elettrico dell'azionamento non è classificato come di tipo antifiamma. e occorre installarne uno separato con tali caratteristiche. Un quadro elettrico UL/ NEMA Tipo 12 risulta adeguato.

Quando sono installati con un passacavi gli azionamenti rispettano i requisiti UL Tipo 1. I quadri elettrici di Tipo 1 sono concepiti per l'uso interno, principalmente per fornire un certo grado di protezione contro la caduta di quantità limitate di sporizia.

Gli azionamenti soddisfano i requisiti di UL Type 12 quando sono installati in un quadro elettrico Type 12 e montati a retroquadro con il kit di tenuta e l'inserito a elevato grado di protezione IP (se fornito).

Quando sono montati a retroquadro, gli azionamenti sono stati valutati come appropriati per l'utilizzo con temperature ambiente fino a 40 °C.

Le tastiere remote sono UL Type 12 quando sono installate con la rondella di tenuta e il kit di fissaggio in dotazione.

Quando sono installati in un quadro elettrico Type 1 o Type 12, gli azionamenti possono essere usati in un'intercapedine di servizio utilizzata come condotta di ritorno dell'aria condizionata.

A.4 Montaggio

Gli azionamenti possono essere montati a pannello usando le staffe appropriate. Gli azionamenti possono essere montati singolarmente o affiancati, lasciando uno spazio adeguato tra l'uno e l'altro.

A.5 Ambiente

Gli azionamenti devono essere installati in un ambiente con grado di inquinamento 2 o inferiore (solo inquinamento secco, non conduttivo).

Gli azionamenti sono stati progettati per impiego a temperature ambiente fino a 40 °C. Inoltre sono stati progettati per temperature ambiente di 50 °C e 55 °C con corrente di uscita declassata.

A.6 Collegamenti elettrici

CATEGORIA DI PROTEZIONE CONTRO LE SOVRATENSIONI

CPS III

ALIMENTAZIONE

Gli azionamenti sono adatti per un circuito in grado di fornire una corrente efficace non superiore a 100.000 ampere simmetrici, con tensione massima di 600 V c.a.

COPPIA DI SERRAGGIO DEI TERMINALI

I terminali devono essere serrati alla coppia nominale specificata nelle Istruzioni di installazione.

MORSETTIERE

Gli azionamenti devono essere installati con cavi classificati per una temperatura di esercizio di 75 °C, unicamente con filo di rame.

Dove possibile, per tutti i collegamenti di alimentazione dei cablaggi di campo, si devono utilizzare connettori ad anello UL di dimensioni appropriate a tali cablaggi.

ISTRUZIONI PER IL COLLEGAMENTO DI TERRA

Per i collegamenti di terra, si devono utilizzare connettori ad anello UL di dimensioni appropriate al cablaggio di campo.

PROTEZIONE DEI CIRCUITI DI DIRAMAZIONE

I fusibili e gli interruttori richiesti per la protezione dei circuiti di diramazione sono specificati nelle Istruzioni di installazione.

APERTURA DI UN CIRCUITO DI DIRAMAZIONE

L'apertura del dispositivo di protezione del circuito di diramazione può significare che un guasto è stato interrotto. Per ridurre il rischio di incendio o di folgorazione, si deve controllare l'apparecchiatura e sostituirla se danneggiata. In caso di interruzione di un elemento di corrente di un relè di sovraccarico, occorre sostituire l'intero relè.

La protezione integrata a stato solido da cortocircuiti non salvaguarda i circuiti di diramazione. La protezione per circuiti di diramazione deve essere fornita in conformità con il National Electrical Code (NEC - Codice nazionale americano per i collegamenti elettrici), il Canadian Electrical Code (Codice canadese per i collegamenti elettrici) e con eventuali altri codici nazionali locali vigenti.

FRENATURA DINAMICA

I Commander C200/C300 di taglia da 1 a 4 sono stati progettati per applicazioni di frenatura dinamica. Gli altri modelli non sono stati progettati per la frenatura dinamica.

A.7 Protezione del motore contro i sovraccarichi di corrente e conservazione della memoria allo spegnimento

Nei dispositivi è integrato un sistema di protezione a stato solido contro le correnti di sovraccarico per il carico del motore. I livelli di protezione sono espressi in percentuale della corrente a pieno carico. Per ulteriori informazioni, consultare la *Guida dell'utente al controllo*.

Al fine del corretto funzionamento della protezione del motore, occorre inserire la corrente nominale del motore stesso nel Pr **06** o nel Pr **05.007**.

Se richiesto, il livello di protezione può essere regolato sotto il 150%. Per ulteriori informazioni, consultare la *Guida dell'utente al controllo*.

Tutti i modelli sono provvisti della funzione di conservazione della memoria allo spegnimento.

A.8 Alimentazione esterna di Classe 2

L'alimentazione esterna utilizzata per il circuito di controllo a 24 V deve essere contrassegnata come: "UL Classe 2". La tensione di alimentazione non deve superare 24 V c.c.

Español

Introducción

Commander C200 y C300 conforman una gama sencilla y flexible de accionamientos de 0,25 kW a 132 kW disponible en 9 tamaños y 3 rangos de tensión de entrada (100 V, 200 V, y 400 V).

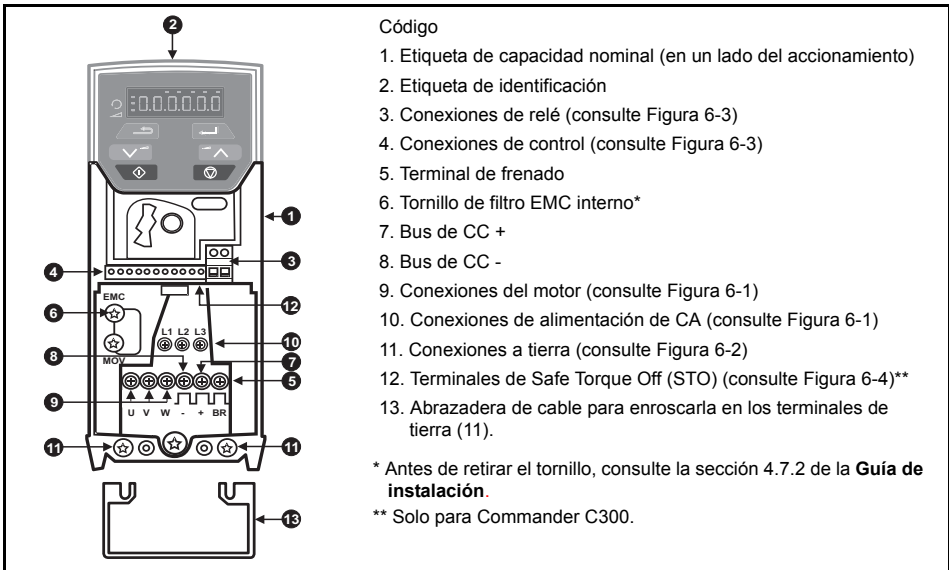
Esta guía detallada proporciona instrucciones claras paso a paso para el montaje del accionamiento, selección de fusible y cable, cableado del accionamiento, programación del accionamiento y puesta en marcha del motor en modo de entrada analógica o modo de teclado para bastidores 1 a 4.

La información siguiente está disponible para su descarga en "www.drive-setup.com":

- Guía de inicio rápido de Commander C200/C300
- Guía del usuario de control de Commander C200/C300
- Guías de instalación de Commander C200/C300
- Guía de consulta de parámetros de Commander C200/C300
- Vídeos de configuración de Commander C200/C300

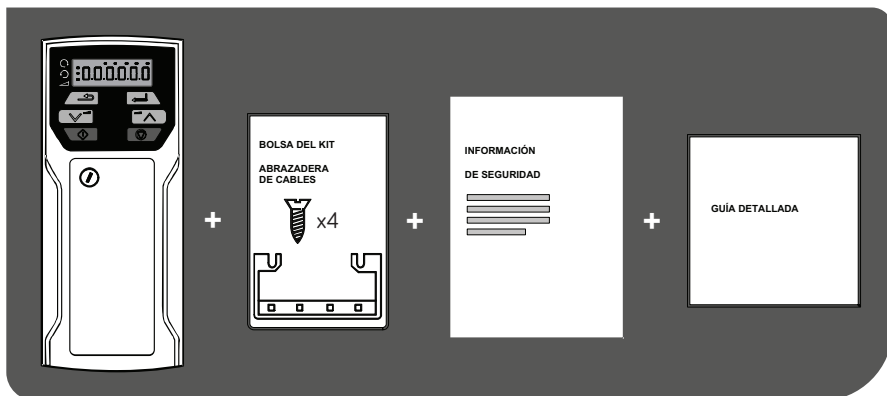
Características del accionamiento

Figura 1-1 Diagrama de características (se muestra el tamaño 2)



PASO 1: Comprobación del contenido de la caja

Cerciórese de que dispone de todos los componentes y de que el accionamiento no ha sufrido daños en el transporte.



PASO 2: Comprobación del modelo y la tensión

El número de modelo aparece en la etiqueta de identificación **1** situada en la parte superior del accionamiento. Compruebe que el modelo y el rango de tensión del accionamiento sean adecuados para la instalación.

Producto	Especificaciones eléctricas			
C 200 -	03	4	00073	A

Línea de productos: C 200 -

Tamaño: 03, 4

Tensión nominal:
 1 - 100 V (100 - 120 ±10%)
 2 - 200 V (200 - 240 ±10%)
 4 - 400 V (380 - 480 ±10%)

Formato de accionamiento:
 A - Entrada CA salida CA

Intensidad nominal:
 Intensidad nominal de ciclo duro x 10

PASO 3: Montaje del accionamiento

El accionamiento se debe montar en una ubicación con una temperatura ambiente de - 20 °C a 60 °C.

Puede ser necesaria la reducción de corriente de salida si la temperatura ambiente supera los 40 °C. Consulte la **Guía de instalación** (sección 5.1). Para instalaciones UL, la temperatura ambiente máxima permitida es de 50 °C con cualquier tipo de reducción de potencia aplicada.

Los accionamientos se pueden montar en panel con un espacio de **0 mm** entre ellos. Se requiere un espacio mínimo de **100 mm** encima y debajo del accionamiento. Consulte la sección 3.4 de la **Guía de instalación** para obtener información sobre la reducción de potencia o de huelgos.

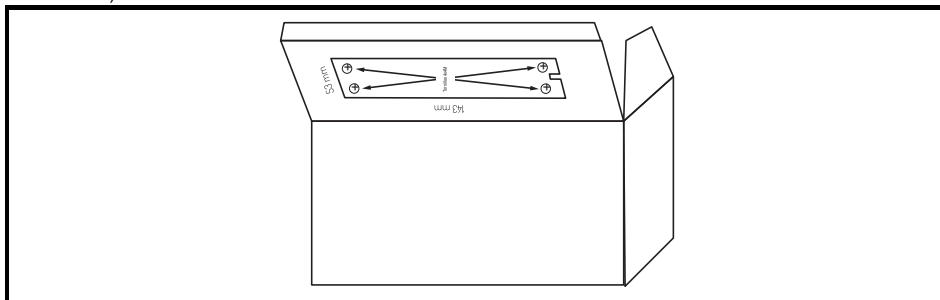
↑ 100 mm

↓ 100 mm

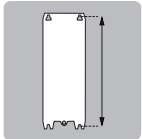
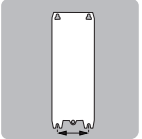
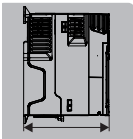

← 0 mm →

El accionamiento se puede atornillar a una placa posterior o montarse en una guía DIN (solo tamaños 1 y 2). Si decide montarlo en una guía, utilice 2 tornillos para fijar el accionamiento a la placa posterior.

Se incluye una **plantilla de perforación** para el montaje en pared en el embalaje del accionamiento (se ilustra a continuación).



De forma alternativa, consulte la tabla a continuación para las medidas de montaje y totales.

Tamaño	 H		 W		 D	 Ø	Peso
	Montaje	Total	Montaje	Total	Total	Diámetro	
1	143 mm	160 mm	53 mm	75 mm	130 mm	5 mm	0,75 kg
2	194 mm	205 mm	55 mm	75 mm	150 mm	5 mm	1,3 kg
3	215 mm	226 mm	70,7 mm	90 mm	160 mm	5 mm	1,5 kg
4	265 mm	277 mm	86 mm	115 mm	175 mm	6 mm	3,13 kg

PASO 4: Selección de cables de suministro / motor y fusibles o microdisyuntor

Los cables de suministro / motor y fusibles o microdisyuntor utilizados deben respetar los valores nominales indicados en la tabla a continuación:



La tensión nominal de los fusibles y de los microdisyuntores debe ser superior o igual a la tensión de alimentación máxima del sistema. **Fusibles:** En la alimentación de CA del accionamiento debe instalarse una protección adecuada contra sobrecargas. Si no se cumple este requisito se puede producir un incendio.

NOTA

Tamaño del conductor a tierra: 10 mm² o dos conductores de la misma superficie de sección transversal que los conductores de entrada.

Modelo	Fases de entrada	Fusibles		Capacidad nominal de microdisyuntor**	Cables			
		IEC clase gG	UL Clase CC, J o T*		IEC60364-5-52 mm ²		UL 508C AWG	
		A	A		Entrada	Salida	Entrada	Salida
01100017	1	10	15	15	1	1	16	16
01100024	1	16	15	15	1,5	1	14	16
02100042	1	20	20	15	2,5	1	12	16
02100056	1	25	25	15	4	1	10	16
01200017	1	6	6	15	1	1	16	16
01200024	1	6	6	15	1	1	16	16
01200033	1	10	15	15	1	1	16	16
01200042	1	16	15	15	1	1	16	16
02200024	1 / 3	6/6	6/6	15	1	1	16	16
02200033	1 / 3	10/10	10/10	15	1	1	16	16
02200042	1 / 3	16/10	15/10	15	1	1	16	16
02200056	1 / 3	20/16	20/15	15	2,5/1,5	1	12/14	16
02200075	1 / 3	20/16	20/15	15	2,5	1	12	16
03200100	1 / 3	25/20	25/20	25/20	4	1,5	10/12	14
04200133	1 / 3	25/20	25/20	25/20	4/2,5	2,5	10	12
04200176	3	25	25	25	4	2,5	10	12
02400013	3	6	6	15	1	1	16	16
02400018	3	6	6	15	1	1	16	16
02400023	3	6	6	15	1	1	16	16
02400032	3	6	6	15	1	1	16	16
02400041	3	10	6	15	1	1	16	16
03400056	3	10	15	15	1	1	14	16
03400073	3	16	15	15	1,5	1	12	16
03400094	3	16	15	25	2,5	1,5	12	14
04400135	3	20	20	20	2,5	2,5	10	12
04400170	3	25	25	25	4	2,5	10	12

* Estos fusibles son de acción rápida.

** Para las instalaciones UL, el disyuntor debe estar incluido bajo el número de control de categoría DIVQ / DIVQ7, con una capacidad de 600 VCA y un valor nominal de cortocircuito superior a 10 kA. En otros países, se recomiendan los disyuntores compatibles con EN IEC 60947-2, con una capacidad de interrupción de circuito mayor de 10 kA.

NOTA

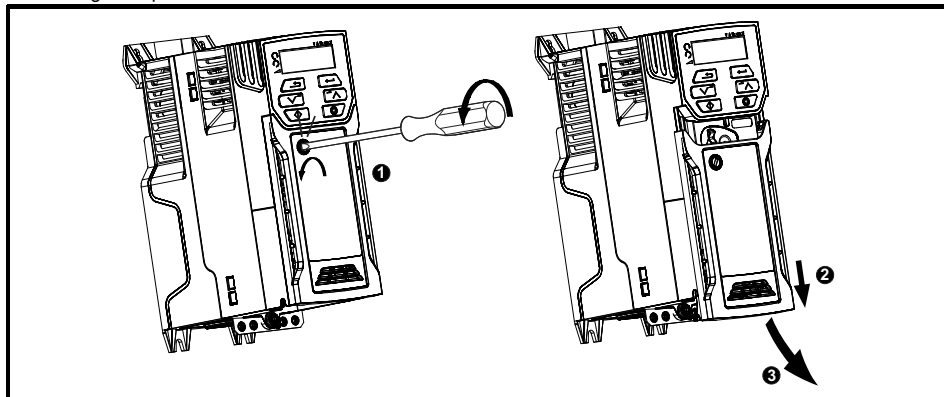
El producto se incluye en UL para su uso en circuitos de hasta 100 kA de corriente de cortocircuito simétrica inicial máxima, siempre que esté protegido con fusibles.

NOTA

Los tamaños de cable IEC deben contar con conductor de cobre, aislamiento de PVC, método de instalación B2 y una temperatura ambiente de 40 °C. Los tamaños de cable UL deben contar con conductor de cobre con una capacidad de aislamiento de 75 °C.

PASO 5: Extracción de la tapa de terminales

1. Utilice un destornillador de punta plana para girar el cierre de la tapa de terminales a la izquierda unos 30°.
2. Deslice la tapa de terminales hacia abajo.
3. Extraiga la tapa de terminales en la dirección indicada.



PASO 6: Cableado del accionamiento

Conexiones de alimentación

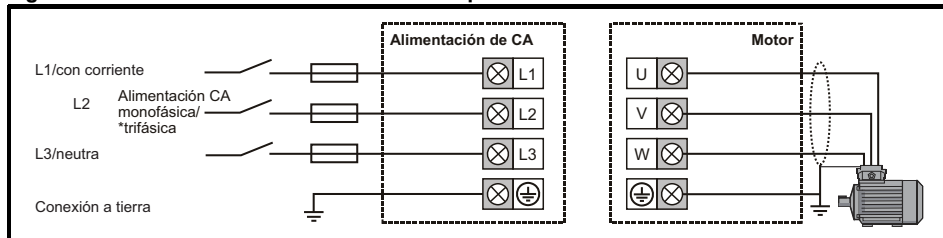
Al conectar el cableado del accionamiento, las conexiones de alimentación, a tierra y de control se deben apretar respetando los ajustes de par recomendados que se indican en la tabla a continuación:

Tabla 6-1 Valores de par recomendados

Tamaño de modelo	Descripción del bloque de terminales	Ajustes de par
Todos	Terminales de control	0,2 N m
	Terminales de relé	0,5 N m
1	Terminales de alimentación	0,5 N m
2, 3, 4		1,4 N m
Todos	Terminales de tierra	1,5 N m

Conecte las conexiones de alimentación y del motor utilizando los cables y fusibles o microdisyuntor indicados en la tabla que se muestra en el paso 4. Con alimentación monofásica, ésta debe conectarse a L1 y L3.

Figura 6-1 Conexiones de los terminales de potencia



Conexiones a tierra

Se utiliza la barra ómnibus a tierra de la parte inferior del accionamiento para realizar las conexiones de alimentación y puesta a tierra del motor, como se ilustra en la Figura 6-2.



Corrosión electroquímica de los terminales de conexión a tierra

Asegúrese de proteger los terminales de conexión a tierra frente a la corrosión que podría ocasionar la condensación, por ejemplo.



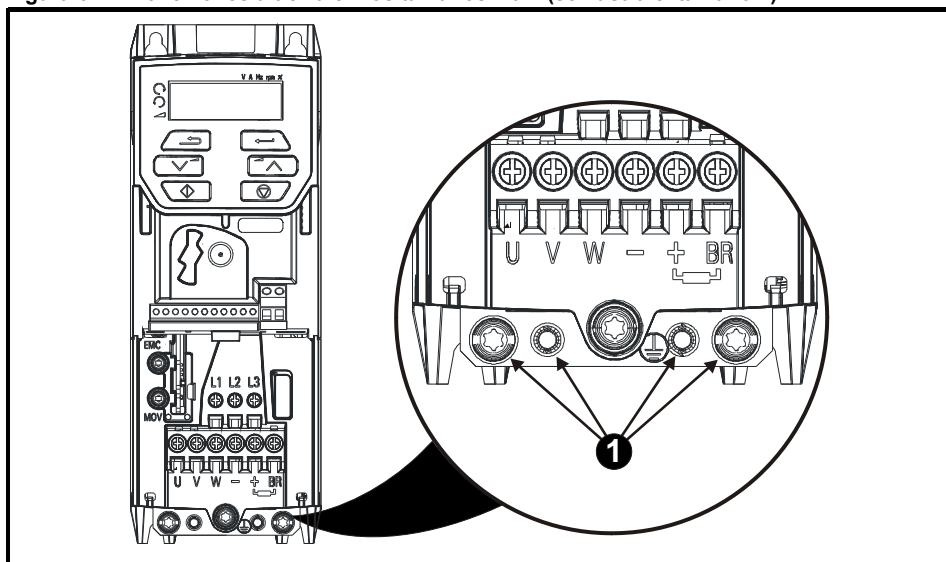
La impedancia del circuito a tierra debe cumplir los requisitos de las normas de seguridad locales. El accionamiento debe ponerse a tierra mediante una conexión capaz de conducir la corriente de pérdida prevista hasta que el dispositivo de protección (fusible u otro) desconecte la alimentación de CA.

Las conexiones a tierra deben inspeccionarse y comprobarse con la regularidad necesaria.

Tamaño mínimo del conductor a tierra

10 mm² o bien dos conductores de la misma sección transversal que el conductor de fase de entrada.

Figura 6-2 Conexiones a tierra en los tamaños 1 a 4 (se ilustra el tamaño 2)

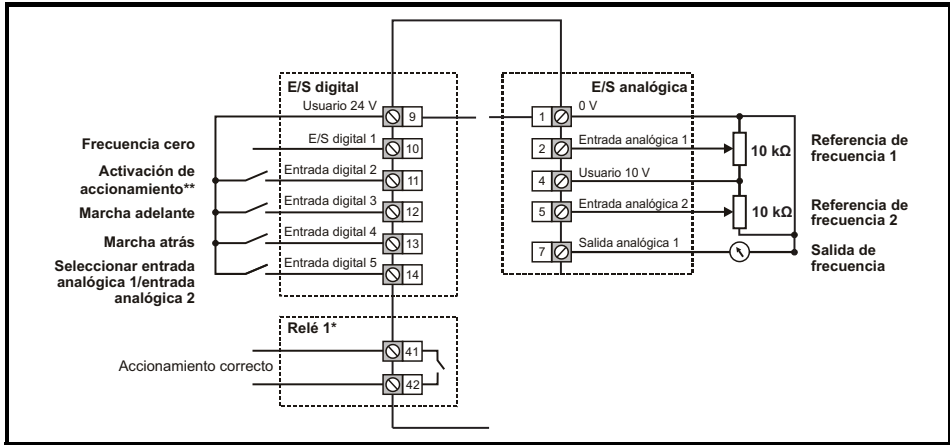


1: Orificios roscados 4 x M4 para la barra ómnibus de conexión a tierra.

Conexiones de control

Los terminales de control están configurados de fábrica para la disposición que se muestra a continuación:

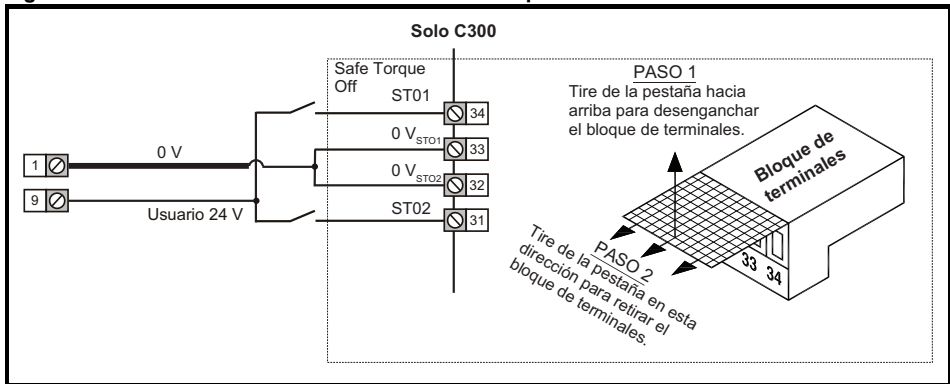
Figura 6-3 Conexiones de terminal de control de Commander C200/C300



* 250 VCA como máximo (UL clase 1).

** Commander C300 utiliza "Safe Torque Off" (desconexión segura de par), por lo que el terminal 11 no está asignado en el Commander C300. Al utilizar el Commander C300, consulte las instrucciones de cableado para "Safe Torque Off" mostradas a continuación:

Figura 6-4 Instrucciones de cableado de Safe Torque Off de Commander C300



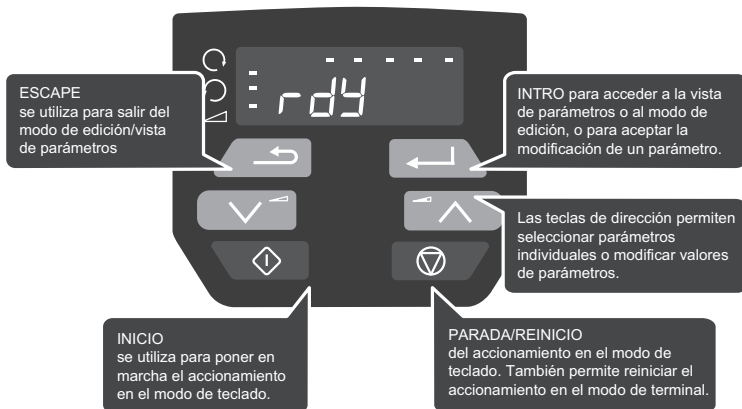
Al finalizar el paso 6 vuelva a instalar la tapa de terminales (consulte el paso 5).

Consulte la sección 4.4 de la **Guía del usuario del control** para información y diagramas de cableado para configuraciones alternativas.

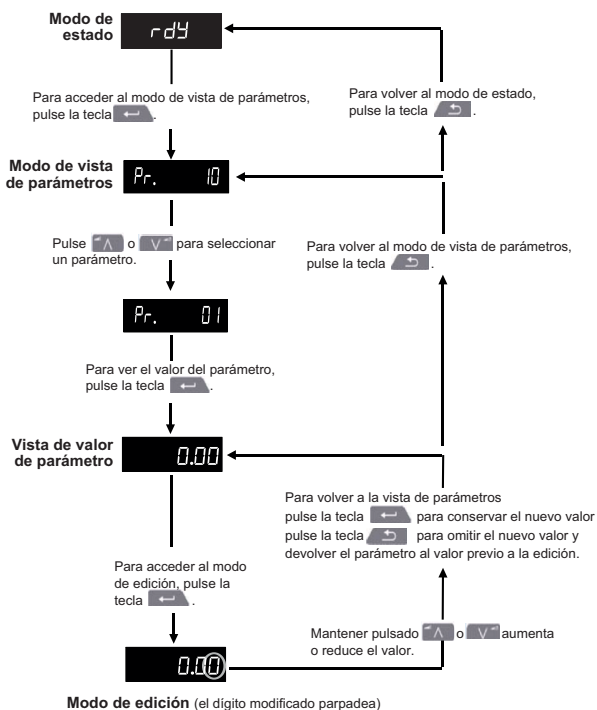
PASO 7: Uso del teclado

La pantalla ofrece información al usuario acerca del estado operativo del accionamiento y los códigos de alarma y desconexión. El teclado permite cambiar parámetros, detener y activar el accionamiento, así como reiniciarlo.

Identificador de tecla del teclado

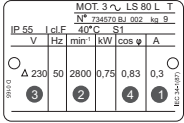





Instrucciones de edición de parámetros



PASO 8: Puesta en marcha del motor

Este paso proporciona instrucciones para la configuración de los parámetros básicos del accionamiento, realizar un autoajuste y para la puesta en marcha del motor en modo de terminal de entrada analógica o modo de teclado.

Acción	Detalles
Encendido	Verifique: <ul style="list-style-type: none"> El accionamiento muestra: inh (terminales de activación abiertos)
Velocidades mínima y máxima	Introduzca: <ul style="list-style-type: none"> Velocidad mínima en Pr 01 (Hz) Velocidad máxima en Pr 02 (Hz)
Velocidades de aceleración y deceleración	Introduzca: <ul style="list-style-type: none"> Velocidad de aceleración en Pr 03 (s) Velocidad de deceleración en Pr 04 (s)
Detalles de la placa de características del motor.	<ol style="list-style-type: none"> Intensidad nominal del motor en Pr 06 (amperios) Velocidad nominal del motor en Pr 07 (rpm / min⁻¹) Tensión nominal del motor en Pr 08 (voltios) Factor de potencia nominal del motor (coseno) en Pr 09 
Preparado para el autoajuste	
Autoajuste	<p>El accionamiento puede realizar un autoajuste estático o por rotación. El motor debe estar estático antes de activar cualquier autoajuste y desconectado de la carga para el autoajuste por rotación.</p> <p>Para realizar un autoajuste:</p> <ul style="list-style-type: none"> Ajuste Pr 10 a L2. Acceda a Pr 38. Ajuste Pr 38 = 1 para el autoajuste estático o Pr 38 = 2 para el autoajuste por rotación. Cierre la señal de activación del accionamiento (aplique +24 V al terminal 11 o a los terminales 31 y 34 del Commander C300). El accionamiento muestra "rdy". Ejecute una orden de marcha (aplique +24 V al terminal 12 - Marcha adelante o al terminal 13 - Marcha atrás). En la pantalla parpadea la indicación 'tuning' mientras el accionamiento realiza el autoajuste. Espere hasta que aparezca la indicación 'inh' y se detenga el motor. Elimine las señales de activación y de marcha del accionamiento.
Preparado para el funcionamiento (modo de terminal de entrada analógica por defecto)	
Marcha	El accionamiento está listo para hacer funcionar el motor. Cierre los terminales de activación (C200) o de Safe Torque Off (C300) y de marcha adelante y marcha atrás.
Aumento y reducción de la velocidad	La modificación de la referencia de frecuencia analógica seleccionada aumenta y reduce la velocidad del motor.
Parada	Para detener el motor siguiendo la velocidad de deceleración seleccionada, abra el terminal de marcha adelante o el terminal de marcha atrás. Si el terminal de activación se abre con el motor en marcha, la salida del accionamiento se desactiva de inmediato y el motor marcha por inercia hasta detenerse.
Preparado para el funcionamiento (modo de teclado)	
Marcha	El accionamiento está listo para hacer funcionar el motor. Ajuste Pr 05 en "PAD". Cierre la activación (C200) o Safe Torque Off (C300). Pulse la tecla de inicio 
Aumento y reducción de la velocidad	Pulse las teclas de arriba y abajo  para aumentar y reducir la velocidad respectivamente.
Parada	Pulse la tecla de parada/reinicio 

Información adicional

Detección de problemas

El accionamiento muestra un código de error cuando detecta una avería. Para localizar y resolver todos los códigos de error, está disponible la aplicación "Diagnostic Tool (App)" para plataformas Microsoft, Android e iOS mediante la tienda de aplicaciones del smartphone / tablet; busque "**Control Techniques diagnostics tool**" en la tienda de aplicaciones. También es posible descargar la aplicación "Diagnostic Tool (App)" de "App Center" de Control Techniques o ver la sección sobre diagnósticos en la **Guía del usuario del control** disponible para su descarga en el sitio web de Control Techniques o de Leroy Somer.

Indicaciones de estado


La tabla a continuación muestra las distintas indicaciones de estado disponibles en la pantalla.

Tabla 10-1 Indicaciones de estado

Cadena	Descripción	Fase de salida del accionamiento
inh	El accionamiento está bloqueado y no puede funcionar. La señal de activación del accionamiento no se aplica al terminal de activación o está ajustado en 0.	Desactivado
rdy	El accionamiento está listo para funcionar. La habilitación del accionamiento está activada, pero el inversor del accionamiento está desactivado porque la marcha de accionamiento final no está activa.	Desactivado
Stop	El accionamiento se detiene / mantiene la velocidad cero.	Activado
Loss	Se ha detectado falta de alimentación.	Activado
dc inj	El accionamiento está aplicando el frenado por inyección de CC.	Activado
Er	El accionamiento se ha desconectado y ha dejado de controlar el motor. El código de desconexión aparece en la pantalla.	Desactivado
UU	El accionamiento se encuentra en estado de subtensión.	Desactivado

Restablecimiento de los valores por defecto del accionamiento

El accionamiento se puede restablecer a los ajustes de fábrica originales siguiendo el procedimiento a continuación:

1. Cerciñese de que el accionamiento no esté activado, es decir, terminal 11 (o terminales 31 y 34 en Commander C300) abierto.
2. Seleccione "Def.50 (ajustes de 50 Hz) o Def.60 (ajustes de 60 Hz)" en Pr00.
3. Pulse el botón de reinicio  rojo.

Rango y valores por defecto de los parámetros básicos

Para información sobre parámetros distintos de Pr 00 a Pr 10 consulte la Guía de inicio rápido.

Parámetro	Rango (⇕)	Valor por defecto (⇔)
01 Velocidad mínima	0,00 a Pr 02 Hz	0,00 Hz
02 Velocidad máxima	0,00 a 550,00 Hz	Def.50: 50,00 Hz Def.60: 60,00 Hz
03 Velocidad de aceleración 1	0,0 a 32000,0 s	5,0 s
04 Velocidad de deceleración 1	0,0 a 32000,0 s	10,0 s
05 Configuración del accionamiento	AV (0), AI (1), AV.Pr (2), AI.Pr (3), PRESEt (4), PAd (5), PAd.rEF (6), E.Pot (7), torquE (8), Pid (9) Para obtener más información, consulte la Guía del usuario del control .	AV (0)
06 Intensidad nominal de motor	0,00 a Amperaje nominal del accionamiento	Amperaje nominal máximo con ciclo duro
07 Velocidad nominal del motor	0,0 a 33000,0 rpm	Def.50: 1500,0 rpm Def.60: 1800,0 rpm
08 Tensión nominal de motor	0 a 240 V o 0 a 480 V	Accionamiento de 110 V: 230 V Accionamiento de 200 V: 230 V Accionamiento de 400V Def.50: 400 V Accionamiento de 400V Def.60: 460 V

Parámetro		Rango (†)	Valor por defecto (⇒)
09	Factor de potencia nominal del motor	0,00 a 1,00	0,85
10	Estado de seguridad del usuario	Para obtener más información, consulte la <i>Guía del usuario del control</i> .	LEVEL.1

Apéndice A Información de catalogación de UL

Este apéndice proporciona información adicional que se debe proporcionar con el producto por requisito de UL.

A.1 Referencia de registro UL

Todos los modelos están incluidos en UL según las normas de Canadá y Estados Unidos. La referencia de registro UL es: NMMS/7.E171230.

Los productos que incorporan la función Safe Torque Off han sido investigados por UL. La referencia de registro UL es: FSPC.E171230.

A.2 Módulos de opciones, kits y accesorios

Los módulos de opciones, unidades de control, kits de instalación y otros accesorios para su uso con estos accionamientos están incluidos en UL.

A.3 Valores nominales del carenado

Todos los modelos se suministran como de tipo abierto.

El carenado del accionamiento no está clasificado como carenado contra incendios. Por consiguiente, es preciso instalar un carenado contra incendios. Es adecuado un carenado UL/ NEMA tipo 12.

Cuando se equipan con caja de conductos, los accionamientos cumplen los requisitos de UL Tipo 1.

Los carenados tipo 1 son para el uso en interiores que proporcionan un grado de protección contra la caída de suciedad en cantidades limitadas.

Los accionamientos cumplen los requisitos de UL tipo 12 cuando se instalan en un carenado tipo 12 y a través de paneles utilizando el kit de sellado y pieza de contacto con IP alta (cuando se haya suministrado).

En el caso de la instalación a través de paneles, los accionamientos se han evaluado como adecuados para su uso con temperatura ambiente hasta de 40 °C.

Los teclados remotos son UL tipo 12 cuando se instalan con la arandela de sellado y el kit de fijación suministrados.

Cuando se instalan en un carenado tipo 1 o tipo 12, los accionamientos pueden utilizarse en un compartimento con aire acondicionado.

A.4 Montaje

Los accionamientos pueden montarse en superficie utilizando los soportes adecuados. Los accionamientos se pueden montar de manera individual o lado a lado con un espacio adecuado entre ellos (montaje en estante).

A.5 Entorno

Los accionamientos se deben montar en un entorno con grado de contaminación 2 o mejor (solo contaminación seca, no conductora).

Los accionamientos se han evaluado para funcionar a temperaturas de hasta 40 °C. También para 50 °C y 55 °C con una salida reducida.

A.6 Instalación eléctrica

CATEGORÍA DE SOBRETENSIÓN

OVC III

SUMINISTRO

Los accionamientos son adecuados para su utilización en un circuito capaz de suministrar no más de 100.000 RMS de amperios simétricos a 600 voltios CA como máximo.

PAR DE APRIETE DE TERMINALES

Los terminales deben apretarse al par nominal especificado en las instrucciones de instalación.

TERMINALES DE CABLEADO

Los accionamientos se deben instalar con cables aptos para el funcionamiento a 75 °C, exclusivamente de cobre. Siempre que sea posible, para todas las conexiones de cableado in situ se deben utilizar conectores en bucle cerrado de la medida adecuada incluidos en UL.

INSTRUCCIONES PARA LA CONEXIÓN A TIERRA

Para la conexión a tierra se deben utilizar conectores en bucle cerrado de la medida adecuada incluidos en UL.

PROTECCIÓN DE CIRCUITOS DERIVADOS

Los fusibles y disyuntores necesarios para la protección de circuitos derivados se indican en las instrucciones de instalación.

APERTURA DE CIRCUITOS DERIVADOS

La apertura del dispositivo de protección de circuitos derivados puede ser indicio de que se ha producido una avería. Para reducir el riesgo de incendio o descarga eléctrica, se debe examinar el equipo y sustituirlo si está dañado. Si se funde el elemento de corriente de un relé de sobrecarga, es necesario sustituir el relé de sobrecarga completo.

La protección integral contra cortocircuitos de estado sólido no ofrece protección de circuito derivado. La protección de circuitos derivados debe suministrarse de conformidad con el código eléctrico nacional (NEC) de EE.UU., las normas sobre electricidad de Canadá y cualquier otra norma local adicional.

FRENADO DINÁMICO

Los tamaños 1 a 4 de Commander C200/C300 se han evaluado para aplicaciones con frenado dinámico. Los demás accionamientos no se han evaluado para el frenado dinámico.

A.7 Protección contra sobrecargas de motor y conservación de la memoria térmica

Los dispositivos incorporan protección contra sobrecarga de estado sólido para la carga del motor. Los niveles de protección se expresan como porcentaje de corriente a plena carga. Para obtener más información, consulte la *Guía del usuario del control*.

Para que la protección del motor sea eficaz, la corriente nominal del motor debe introducirse en Pr **06** o Pr **05.007**. Si es necesario, el nivel de protección puede ajustarse por debajo del 150%. Para obtener más información, consulte la *Guía del usuario del control*.

Todos los modelos se suministran con conservación de memoria térmica.

A.8 Suministro de clase 2 externo

El suministro eléctrico externo utilizado para alimentar el circuito de control de 24 V se debe marcar con: "UL Clase 2". La tensión de alimentación no debe superar 24 VCC.

Company information

Control Techniques Limited. Registered Office: The Gro, Newtown, Powys SY16 3BE. Registered in England and Wales. Company Reg. No. 01236886.

Moteurs Leroy-Somer SAS. Headquarters: Bd Marcellin Leroy, CS 10015, 16915 Angoulême Cedex 9, France. Share Capital: 65 800 512 €, RCS Angoulême 338567258.

Informations sur la société

Control Techniques Limited. Siège social : The Gro, Newtown, Powys SY16 3BE. Entreprise enregistrée en Angleterre et au Pays de Galles. N° d'immatriculation 01236886.

Moteurs Leroy-Somer SAS. Siège mondial : Bd Marcellin Leroy, CS 10015, 16915 Angoulême Cedex 9, France. Capital social : 65 800 512 €, RCS Angoulême 338567258.

Unternehmensinformationen

Control Techniques Limited. Registrierter Sitz: The Gro, Newtown, Powys SY16 3BE. In England und Wales registriert. Firmen-Reg. Nr. 01236886.

Moteurs Leroy-Somer SAS. Firmensitz: Bd Marcellin Leroy, CS 10015, 16915 Angoulême Cedex 9, Frankreich. Aktienkapital: 65.800.512 €, RCS Angoulême 338567258.

Informazioni sull'azienda

Control Techniques Limited. Sede legale: The Gro, Newtown, Powys SY16 3BE. Registrata in Inghilterra e in Galles. Numero di iscrizione al registro imprese 01236886.

Moteurs Leroy-Somer SAS. Sede centrale: Bd Marcellin Leroy, CS 10015, 16915 Angoulême Cedex 9, Francia. Capitale sociale: 65 800 512 €, RCS Angoulême 338567258.

Información de la compañía

Control Techniques Limited. Domicilio social: The Gro, Newtown, Powys SY16 3BE. Registrada en Inglaterra y Gales. Empresa con número de registro 01236886.

Moteurs Leroy-Somer SAS. Sede central: Bd Marcellin Leroy, CS 10015, 16915 Angoulême Cedex 9, Francia. Capital social: 65 800 512 €, RCS Angoulême 338567258.



0478-0527-01